

# Arbitrary Waveform Generator

► AWG5000 Series (AWG5014 • AWG5012 • AWG5004 • AWG5002)



► AWG5000 Series.

## The AWG5000 Series of Arbitrary Waveform Generators Delivers the Industry's Best Mixed Signal Stimulus Solution for Today's Complex Measurement Challenges

The AWG5000 Series of Arbitrary Waveform Generators delivers the optimal combination of industry-leading sample rate, vertical resolution, signal fidelity and waveform memory length, all in an easy-to-use, self-contained package.

The series offers the industry's best solution to the challenging signal stimulus issues faced by designers verifying, characterizing and debugging sophisticated electronic designs.

Meeting the needs of today's design engineers, the series provides excellent signal dynamic range and integrity.

AWG5000 Series models, with a 14 bits DA converter-based sample rate from 600 MS/s to 1.2 GS/s, 2 to 4 output channels, synchronized 4 to 8 digital marker outputs and 28 channels of digital data outputs, easily solve the toughest measurement challenges in wireless baseband I/Q communications, digital consumer product design such as imaging devices, data conversion equipment and semiconductor design and test.

The open windows-based (Windows XP) instruments are easy and convenient to use and connect easily with peripherals and third-party software.

## ► Features & Benefits

1.2 Gs/s and 600 MS/s Models

14 Bit Vertical Resolution

2 or 4 Arbitrary Waveform

Differential/Single-ended Outputs

- Up to 4.5 V<sub>pk-pk</sub> Single-ended and 9 V<sub>pk-pk</sub> at Differential
- 0.95 ns Tr/Tf (10 to 90%) at 0.6 V<sub>pk-pk</sub>
- SFDR: 80 dBc (1 MHz), 64 dBc (10 MHz)

4 or 8 Variable Level Marker Outputs

- Up to 3.7 V<sub>pk-pk</sub> at Single-end Output into 50 Ω
- 300 ps Tr/Tf (20 to 80%) at 0 to 1 V

28 Bits Ch1/Ch2 Variable Level Digital Data Output

- Up to 3.7 V<sub>pk-pk</sub> at Single-end Output into 50 Ω
- 300 ps Tr/Tf (20 to 80%) at 0 to 1 V

Up to 32 M Point Record Length for Longer Data Streams

Down to 800 ps Resolution Edge Timing Shift Control

Real-time Sequencing Creates Infinite Waveform Loops, Jumps and Conditional Branches

Intuitive User Interface Based on Windows XP

Integrated PC Supports Network Integration and Provides a Built-in DVD, Removable Hard Drive, LAN and USB Ports

## ► Applications

Wireless Communications:

- High Fidelity Quadrature Modulation I&Q Base-band Signals (Polar Modulation: I/Q + Magnitude Control, Two Pair of I/Q for MIMO)

Imaging

- Stimulus Signals for Imaging Display and Recording Devices (CCD, LCD)

Data Conversion

- Stimulus Signals for Data Conversion Devices (ADC, DAC)

Mixed Signal Design and Test

- 2/4 Ch Analog + 4/8 Ch Marker Outputs + 28 Bit Digital Data Outputs

Real-world, Ideal or Distorted Signal Generation – Including All the Glitches, Anomalies and Impairments

Enhanced/Corrupted Playback of DSO Captured Signals

Waveform Vectors Imported from Third-party Tools such as MathCAD, MATLAB, Excel and Others

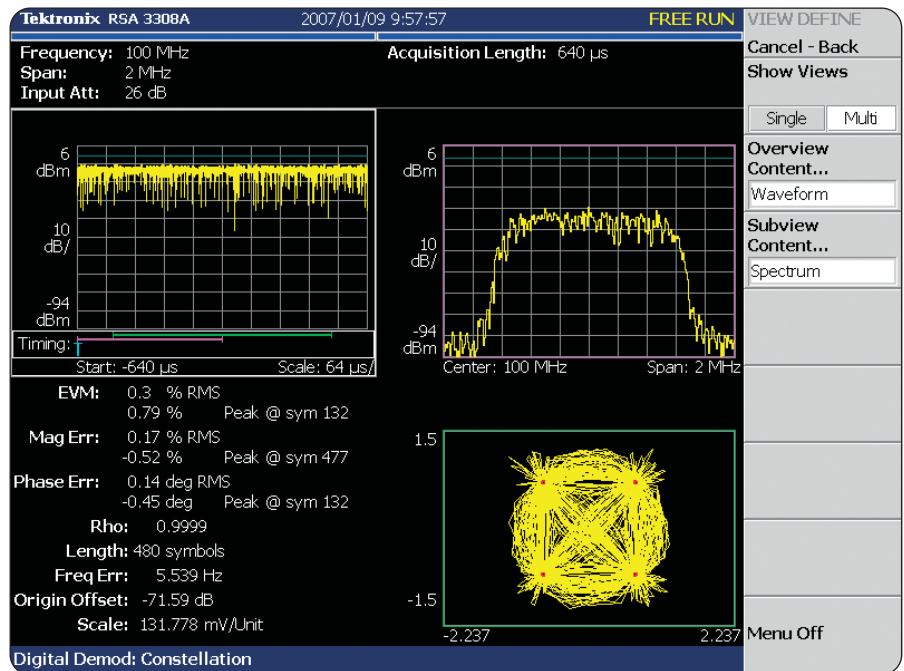
# Arbitrary Waveform Generator

► AWG5000 Series (AWG5014 • AWG5012 • AWG5004 • AWG5002)

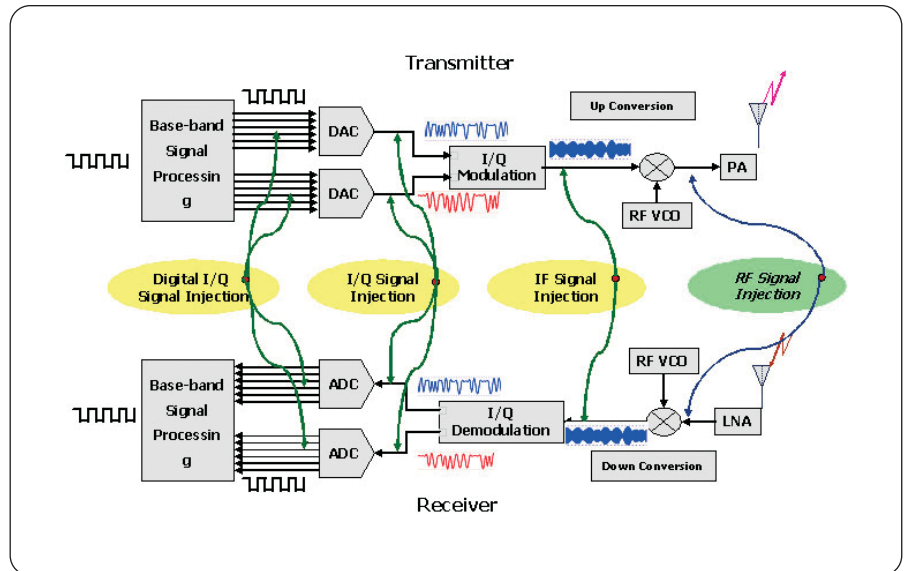
## Wireless I/Q and IF Signal Generation

Tektronix AWGs support “Wireless Everywhere” by enabling the latest Digital RF technology, increasing wireless network capacity and delivering the performance that supports higher modulation bandwidth and modulation schemes.

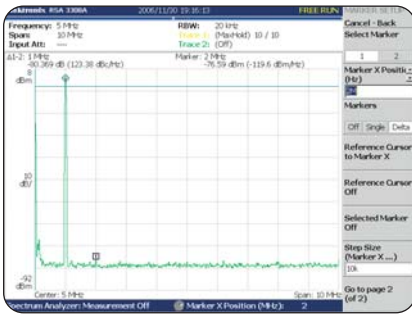
The AWG5000 Series’ 1.2 GS/s, (600 MS/s), with enough signal dynamic range and SFDR via 14bit vertical resolution meets Narrowband IQ applications to broadband IF applications. The AWG5000 is able to generate not only analog IQ/IF signals, but digital data IQ/IF. The MIMO (Multiple Input Multiple Output) system that supports W-LAN /Wi-Max using space-multiplex with multiple antennas is a leading edge technology for reliable and faster data rate communication. The AWG5000 Series generates up to 4 analog channels (8 channels via two instruments) to simultaneously generate MIMO signals. The series can generate two pairs of IQ signals (4-pairs with two instruments) as an IQ generator, and four pairs of IF signals (8-pairs with two instruments) as an IF generator. With the two-channel models, Ch. 1 and Ch. 2 digital data output is available as an option.



► EVM/Constellation measurement.



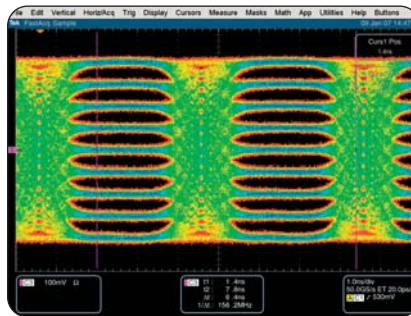
► Typical Signal Injection.



► RTSA Spectrum view.

## Spurious Performance

The 14 bit vertical resolution and sophisticated design of the AWG5000 Series provides ample signal dynamic range and purity. The SFDR performance is 80 dBc for 1 MHz signal and 64 dBc for 10 MHz signal.



► 9-PAM with 250 Mbps.

## Multi-level Logic Signal

One technique to increase the data rate without increasing the transition rate is applying multi-level signals, wherein a signal can assume more than the standard binary 2 levels. In multi-level signaling, one can think of multi-level discrete amplitudes of a signal. This phenomenon is known as pulse amplitude-modulation or PAM. A 9PAM signal, a signal with 9 different amplitudes, increases the data rate by four without increasing the transition rate of the signal.

The AWG5000 Series enables you to test your latest design by generating any kind of mixed or multi-level signal.



► Mixed signal test by TDS/TLA iView.™

## Mixed Signal Generation

AWG5012 and AWG5002 models can generate two analog signals with four digital marker outputs, supporting 28 digital outputs (Ch 1 and Ch 2 data) as an option. They deliver a mixed analog and digital signal generator and the most versatile solution for a broad range of applications, including consumer electronics such as ADC/DAC converter and imaging or display devices.

# Arbitrary Waveform Generator

► AWG5000 Series (AWG5014 • AWG5012 • AWG5004 • AWG5002)

## ► Characteristics

	AWG5014	AWG5012	AWG5004	AWG5002
<b>Arbitrary Waveforms</b>				
Waveform Length	1 to 16,200,000 points (or 1 to 32,400,000 points, Option 01)			
Number of Waveforms	1 to 16,000			
Sequence Length	1 to 4,000 steps			
Sequence Repeat Counter	1 to 65,536 or infinite			
Sequence Control	Repeat count, Trigger, Goto-N and Jump			
Jump Mode	Synchronous and Asynchronous			
<b>Run Modes</b>				
Continuous	Waveform is iteratively output. If a sequence is defined, the sequence order and repeat functions are applied			
Triggered	Waveform is output only once when an external, internal, GPIB, LAN or manual trigger is received			
Gated	Waveform begins output when gate is true and resets to beginning when false			
Sequence	Waveform is output as defined by the sequence			
<b>Clock Generator</b>				
Sampling Frequency	10 MS/s to 1.2 GS/s		10 MS/s to 600 MS/s	
Resolution	8 digits			
Internal Clock				
Accuracy	Within $\pm(1 \text{ ppm} + \text{Aging})$ , Aging: Within $\pm 1 \text{ ppm/year}$			
Clock Phase Noise	Less than $-90 \text{ dBc/Hz}$ at 100 kHz offset			
<b>Internal Trigger Generator</b>				
Internal Trigger Rate				
Range	1.0 $\mu\text{s}$ to 10.0 s			
Resolution	3 digits, 0.1 $\mu\text{s}$ minimum			
<b>Skew Control Between Outputs</b>				
Range	$-5 \text{ ns}$ to $+5 \text{ ns}$			
Resolution	5 ps			

	AWG5014	AWG5012	AWG5004	AWG5002
<b>Main Arbitrary Waveform Output</b>				
Resolution	14 bits			
<b>Analog Output</b> (into 50 Ω) (twice for Hi_Z input)				
<b>Number of Arb Outputs</b>	4	2	4	2
Output Style	Differential			
Output Impedance	50 Ω			
Connector	BNC Front			
<b>Amplitude</b>				
Output Voltage	Normal: -4.5 V to + 4.5 V, Direct -0.3 V to +0.3 V			
Amplitude	Normal: 20 mV <sub>pk-pk</sub> to 4.5 V <sub>pk-pk</sub> , Direct; 20 mV <sub>pk-pk</sub> to 0.6 V <sub>pk-pk</sub>			
Resolution	1 mV			
DC Accuracy	±(2.0% of Amplitude + 2 mV) at offset = 0 V			
<b>Offset (into 50 Ω)</b>				
Range	Normal: -2.25 V to +2.25 V, Direct: N/A			
Resolution	1 mV			
Accuracy	±(2% of offset +10 mV at minimum amplitude)			
<b>Pulse Response</b>				
Rise/Fall time: (10% to 90%)	Normal: 1.4 ns (2.0 V <sub>pk-pk</sub> ), Direct: 0.95 ns (0.6 V <sub>pk-pk</sub> )			
Bandwidth (-3dB)	Normal: 250 MHz (2.0 V <sub>pk-pk</sub> ), Direct: 370 MHz (0.6 V <sub>pk-pk</sub> )			
Ringing	Normal: 750 mV <sub>pk-pk</sub> (4.5 V <sub>pk-pk</sub> filter through), 80 mV <sub>pk-pk</sub> (2.0 V <sub>pk-pk</sub> filter through), Direct: 60 mV <sub>pk-pk</sub> (0.6 V <sub>pk-pk</sub> )			
Low Pass Filter	High range: 100 MHz, 20 MHz, Low range: through, 100 MHz, 20 MHz, Direct: N/A			
Delay from Marker	Normal: 17.5 ns to 19.4 ns (20 MHz filter), 3.8 ns to 5.7 ns (100 MHz filter), 0 to 1.9 ns (Through), Direct: -1.5 ns to 0.4 ns			
<b>Sine Wave Characteristics</b> (1.2 GS/s clock, 32 waveform points, 37.5 MHz signal frequency) (600 MS/s clock, 32 waveform points, 18.75 MHz signal frequency)				
Harmonics	Normal: ≤-40 dBc (2.0 V <sub>pk-pk</sub> ), Direct ≤-49 dBc (0.6 V <sub>pk-pk</sub> ) Normal: ≤-46 dBc (2.0 V <sub>pk-pk</sub> ), Direct ≤-55 dBc (0.6 V <sub>pk-pk</sub> )			
Non Harmonics	Normal: ≤-60 dBc (2.0 V <sub>pk-pk</sub> , DC to 600 MHz) Normal: ≤-60 dBc (2.0 V <sub>pk-pk</sub> , DC to 300 MHz)			
Phase noise	≤-85 dBc/Hz (2.0 V <sub>pk-pk</sub> , 10 kHz offset) ≤-85 dBc/Hz (2.0 V <sub>pk-pk</sub> , 10 kHz offset)			
<b>SFDR</b>	50 dBc (Normal, 37.5 MHz, 1.2 GS/s, 2.0 V <sub>pk-pk</sub> ) 60 dBc (Normal, 10 MHz, 600 MS/s, 1.0 V <sub>pk-pk</sub> ) 80 dBc (Normal, 1 MHz, 600 MS/s, 1.0 V <sub>pk-pk</sub> ) 64 dBc (Direct, 10 MHz, 600 MS/s, 0.6 V <sub>pk-pk</sub> ) 80 dBc (Direct, 1 MHz, 600 MS/s, 0.6 V <sub>pk-pk</sub> )		56 dBc (Normal, 18.75 MHz, 600 MS/s, 2.0 V <sub>pk-pk</sub> ) 60 dBc (Normal, 10 MHz, 600 MS/s, 1.0 V <sub>pk-pk</sub> ) 80 dBc (Normal, 1 MHz, 600 MS/s, 1.0 V <sub>pk-pk</sub> ) 64 dBc (Direct, 10 MHz, 600 MS/s, 0.6 V <sub>pk-pk</sub> ) 80 dBc (Direct, 1 MHz, 600 MS/s, 0.6 V <sub>pk-pk</sub> )	

# Arbitrary Waveform Generator

► AWG5000 Series (AWG5014 • AWG5012 • AWG5004 • AWG5002)

	AWG5014	AWG5012	AWG5004	AWG5002
<b>Auxiliary Outputs</b>				
<b>Marker Output</b>				
Number of Outputs	8 (2 per ch)	4 (2 per ch)	8 (2 per ch)	4 (2 per ch)
Output Style	Single ended			
Output Impedance	50 Ω			
Connector	BNC Front			
<b>Level (into 50 Ω)</b> (twice for Hi_Z input)				
Output Windows	-1 V to +2.7 V			
Amplitude	0.1 V <sub>pk-pk</sub> to 3.7 V <sub>pk-pk</sub>			
Resolution	10 mV			
DC Accuracy	±(10% of setting +120 mV)			
Maximum Output Current	±54 mA/ch			
Rise/Fall Time (20% to 80%)	300 ps (1 V <sub>pk-pk</sub> , High +1 V, Low 0 V)			
<b>Skew Adjust Between Markers</b>				
Range	0 to 1000 ps			
Resolution	50 ps			
Random Jitter (typical)	1010 clock pattern			
RMS	5 ps <sub>RMS</sub>			
Total Jitter (typical)	2 <sup>15-1</sup> PN data pattern			
Peak to Peak (pk-pk)	80 ps <sub>pk-pk</sub>			
<b>Clock (VCO) Out</b>				
Range	600 MHz to 1.2 GHz			
Amplitude	0.4 V <sub>pk-pk</sub> into 50 Ω to GND			
Impedance	50 Ω, AC coupling			
Connector	BNC Rear			
<b>10 MHz Reference Out</b>				
Amplitude	1.2 V <sub>pk-pk</sub> into 50 Ω. Max 2.5 V <sub>pk-pk</sub> open			
Impedance	50 Ω, AC coupling			
Connector	BNC Rear			
<b>DC Outputs</b>				
Number of Outputs	4: independently controlled outputs			
Range	-3 to +5 V			
Resolution	10 mV			
Max. Current	±100 mA			
Connector	2x4 pin header on front panel			
<b>Digital Data Output (Option 03)</b>				
Number of Output	NA	14 bits output on channel 1 and channel 2 (28 total)	NA	14 bits output on channel 1 and channel 2 (28 total)
Output Style		Single-ended		Single-ended
Output Impedance		50 Ω		50 Ω
Connector		SMB rear		SMB rear
<b>Level (into 50 Ω)</b> (twice for Hi_Z input)				
Output Windows		-1 V to +2.7 V		-1 V to +2.7 V
Amplitude		0.1 V <sub>pk-pk</sub> to 3.7 V <sub>pk-pk</sub>		0.10 V <sub>pk-pk</sub> to 3.7 V <sub>pk-pk</sub>
Resolution		10 mV		10 mV
DC Accuracy		±(10% of setting +120 mV)		±(10% of setting +120 mV)
Maximum Output Current		±54 mA/ch		±54 mA/ch
Rise/Fall Time (20% to 80%)		300 ps (1 V <sub>pk-pk</sub> , High +1 V, Lo 0 V)		300 ps (1 V <sub>p-p</sub> , High +1 V, Lo 0 V)

## Auxiliary Inputs

**Trigger In**

Impedance	1 k $\Omega$ or 50 $\Omega$
Polarity	POS or NEG
Connector	BNC Front
Input Voltage Range	1 k $\Omega$ : $\pm 10$ V. 50 $\Omega$ : $\pm 5$ V

**Threshold**

Level	-5 V to 5 V
Resolution	0.1 V
Trigger Jitter	2 ns to 4.5 ns (typical)

**Trigger Mode**

Minimum Pulse Width	20 ns
Trigger Hold-off	832* sampling_period - 100 ns
Delay to Analog Out	128* sampling_period + 250 ns

**Gate Mode**

Minimum Pulse Width	1024* sampling_period + 10 ns
Delay to Analog Out	640* sampling_period + 260 ns

**Event Input**

Impedance	1 k $\Omega$ or 50 $\Omega$
Polarity	POS or NEG
Connector	BNC Front
Input Voltage Range	1 k $\Omega$ : $\pm 10$ V. 50 $\Omega$ : $\pm 5$ V
Threshold	-5 V to 5 V
Resolution	0.1 V

**Sequence Mode Mode**

Minimum Pulse Width	20 ns
Event Hold Off	1024* Sampling Period + 10 ns
Delay to Analog Out	640* Sampling Period + 280 ns (Jump timing: Asynchronous jump)

**External Clock IN**

Input Voltage Range	0.2 V <sub>pk-pk</sub> to 0.8 V <sub>pk-pk</sub>	
Impedance	50 $\Omega$ , AC coupled	
Frequency Range	600 MHz to 1.2 GHz	
Clock Divider	1/1, 1/2, 1/4...1/32	1/2, 1/4...1/32
Connector	BNC Rear	

**Reference Clock IN**

Input Voltage Range	0.2 V <sub>pk-pk</sub> to 3 V <sub>pk-pk</sub>
Impedance	50 $\Omega$ , AC coupled
Frequency Range	10 MHz, 20 MHz, 100 MHz (with $\pm 0.1\%$ )
Connector	BNC Rear

**Phase Lock IN**

Input Ranges	5 MHz to 600 MHz (acceptable frequency drift is $\pm 0.5\%$ )	
Input Voltage Range	0.2 V <sub>pk-pk</sub> to 3 V <sub>pk-pk</sub>	
Impedance	50 $\Omega$ , AC coupled	
Multiple Rate	1 to 240	1 to 120
Connector	BNC Rear	

**Add IN**

	For each analog channel
Impedance	50 $\Omega$ , DC coupled
DC Gain	1
Bandwidth	DC to 100 MHz at -3dB
Input Voltage Range	$\pm 1$ V
Connector	BNC Rear

# Arbitrary Waveform Generator

► AWG5000 Series (AWG5014 • AWG5012 • AWG5004 • AWG5002)

## AWG5000 Series Common Features

Waveform File Import Capability	Tektronix TDS5000/6000/7000, DPO4000/7000/70000, DSA70000 (*.wfm), TDS3000 (*.wfm), AWG400s/500s/610/615/710/710B (*.wfm, *.pat, *.seq), DTG5000s (*.DAT) Text data file (Third-party software creation waveform data: MATLAB, MathCad, Excel)	
S/W Driver for Third Party S/W	IVI-com driver and MATLAB library	
<b>Instrument Control/Data Transfer Ports</b>		
GPIB	Remote control and data transfer. (Conforms to IEEE-Std 488.1, compatible with IEEE 488.2 and SCPI-1999.0)	
Ethernet (10/100/1000Base-T)	Remote control and data transfer. (Conforms to IEEE 802.3). RJ-45	
Computer System and Peripherals	Windows XP Professional, 512 MB SDRAM, 80 GB removable Hard Drive at rear (available front mount kit), CD-RW/DVD drive at front, included USB compact keyboard and mouse	
<b>PC I/O Ports</b>	USB 2.0 compliant ports (6 total, 2 front, 4 rear), PS/2 mouse and keyboard connectors (rear panel), RJ-45 Ethernet connector (rear panel) supports 10/100/1000Base-T, XGA out	
<b>Display Characteristics</b>	10.4 inch, LCD color display with touch screen, 1024 (H) x 768 (V) (XGA)	
<b>Mechanical Cooling</b>		
<b>Required Clearance</b>		
Top and Bottom	2 cm (0.8 inch)	
Side	15 cm (6 inch)	
Rear	7.5 cm (3 inch)	
Power Supply	100 to 240 VAC, 47 to 63 Hz	
Power Consumption	450 W	
Safety	UL61010-1, CAN/CSA-22.2, No.61010-1-04, EN61010-1, IEC61010-1	
Emissions	EN 55011 (Class A), IEC61000-3-2, IEC61000-3-3	
Immunity	IEC61326, IEC61000-4-2/3/4/5/6/8/11	
<b>Regional Certifications</b>		
Europe	EN61326	
Australia/New Zealand	AS/NZS 2064	
<b>Physical Characteristics</b>		
<b>Dimension</b>	<b>mm</b>	<b>in.</b>
Height	245	9.6
Width	465	18
Length	500	19.7
<b>Weight (approx.)</b>	<b>kg</b>	<b>lbs.</b>
Net	19.5	43
Net with Package	28.5	62.8
<b>Environmental</b>		
	<b>Operating</b>	<b>Non-operating</b>
Temperature	+10° C to +40° C	-20° C to +60° C
Humidity	5% to 80% relative humidity (% RH) at up to +30° C, 5% to 45% RH above +30° C up to +50° C,	5% to 90% RH (Relative Humidity) at up to +30° C, 5% to 45% RH above +30° C up to +50° C,
Altitude	Up to 3,048 meters (10,000 feet)	Up to 12,192 meters (40,000 feet)
Random Vibration	0.27 G <sub>RMS</sub> , 5 to 500 Hz, 10 minutes per axis	2.28 G <sub>RMS</sub> , 5 to 500 Hz, 10 minutes per axis
Sine Vibration	0.33 mm <sub>pk-pk</sub> (0.013 inch <sub>pk-pk</sub> ) constant displacement, 5 55 Hz	NA
Mechanical shock	Half-sine mechanical shocks, 30 g peak amplitude, 11 msec duration, 3 drops in each direction of each axis	NA



## ► Ordering Information

### Arbitrary Waveform Generator Mainframe

#### AWG5014

1.2 GS/s, 4-channel, 14 bits, 16 M point/channel Arbitrary Waveform Generator.

#### AWG5012

1.2 GS/s, 2-channel, 14 bits, 16 M point/channel Arbitrary Waveform Generator.

#### AWG5004

600 MS/s, 4-channel, 14 bits, 16 M point/channel Arbitrary Waveform Generator.

#### AWG5002

600 MS/s, 2-channel, 14 bits, 16 M point/channel Arbitrary Waveform Generator.

**All Models Include:** Accessory pouch, front cover, USB mouse, compact USB keyboard, lead set for DC Output, Stylus for touch screen 2 ea, Windows XP operating system restore DVD and instructions, AWG5000 Series product software CD and instructions, Document CD with Browser, Quick Start User Manual, registration card, Certificate of Calibration, power cable.

**Note:** Please specify power cord and language option when ordering.

### Instrument Options

#### AWG5014/AWG5012/ AWG5004/AWG5002

**Opt. 01** – Waveform Length Expansion (from 16 M to 32 M).

#### AWG5012/AWG5002

**Opt. 03** – 28 bits digital data outputs (digital data of CH1 and CH2).

### Common Options

#### International Power Plugs

- Opt. A0** – North America power.
- Opt. A1** – Universal Euro power.
- Opt. A2** – United Kingdom power.
- Opt. A3** – Australia power.
- Opt. A5** – Switzerland power.
- Opt. A6** – Japan power.
- Opt. A10** – China power.
- Opt. A99** – No power cord or AC adapter.

#### Language Options

- Opt. L0** – English.
- Opt. L5** – Japanese.
- Opt. L7** – Simplified Chinese.
- Opt. L8** – Traditional Chinese.

### Service

- Opt. CA1** – A single calibration event.
- Opt. C3** – Calibration service 3 years.
- Opt. C5** – Calibration service 5 years.
- Opt. D1** – Calibration data report.
- Opt. D3** – Calibration data report 3 years (with Option C3).
- Opt. D5** – Calibration data report 5 years (with Option C5).
- Opt. R3** – Repair service 3 years.
- Opt. R5** – Repair service 5 years.

### Service Post-sales Offering: (e.g., AWG5012-CA1)

- CA1** – A single calibration event.
- R3DW** – Repair service coverage 3 years.
- R5DW** – Repair service coverage 5 years.
- R2PW** – Repair service coverage 2 years post warranty.
- R1PW** – Repair service coverage 1 year post warranty.

### Product Upgrade, AWG5014

#### AWG50UP

**Opt. M14** – Waveform Length Expansion from 16 M point to 32 M point.

### Product Upgrade, AWG5012

#### AWG50UP

**Opt. M12** – Waveform Length Expansion from 16 M point to 32 M point.

**Opt. D13** – Digital Data Outputs.

### Product Upgrade, AWG5004

#### AWG50UP

**Opt. M04** – Waveform Length Expansion from 16 M point to 32 M point.

### Product Upgrade: AWG5002

#### AWG50UP

**Opt. M02** – Waveform Length Expansion from 16 M point to 32 M point.

**Opt. D03** – Digital Data Outputs.

## Arbitrary Waveform Generator

► AWG5000 Series (AWG5014 • AWG5012 • AWG5004 • AWG5002)

### ► Recommended Accessories

Item	Description	Part Number
Transition Time Converter	150 ps (10% to 90%)	015-0710-00
	250 ps (10% to 90%)	015-0711-00
	500 ps (10% to 90%)	015-0712-00
	1000 ps (10% to 90%)	015-0713-00
	2000 ps (10% to 90%)	015-0714-00
Pin Header SMA Cable	102 cm (40 inch)	012-1690-00
Pin Header SMB Cable	51 cm (20 inch)	012-1503-00
Rackmount Kit	Rackmount kit with instruction	016-1983-00
Front Removable HDD Bay	Front removable HDD kit	016-1979-00
Replacement Hard Disk	SATA disk assembly (no software installation)	065-0753-00
Quick Start User Manual	English	071-2078-00
Quick Start User Manual	Japanese	071-2079-00
Quick Start User Manual	Simplified Chinese	071-2080-00
Quick Start User Manual	Traditional Chinese	071-2081-00
Service Manual	Service manual, English	071-2083-00

### Warranty

One-year parts and labor.

## Arbitrary Waveform Generator

► AWG5000 Series (AWG5014 • AWG5012 • AWG5004 • AWG5002)

## Arbitrary Waveform Generator

► AWG5000 Series (AWG5014 • AWG5012 • AWG5004 • AWG5002)

## Contact Tektronix:

ASEAN / Australasia (65) 6356 3900  
Austria +41 52 675 3777  
Balkan, Israel, South Africa and other ISE Countries +41 52 675 3777  
Belgium 07 81 60166  
Brazil & South America (11) 40669400  
Canada 1 (800) 661-5625  
Central East Europe, Ukraine and the Baltics +41 52 675 3777  
Central Europe & Greece +41 52 675 3777  
Denmark +45 80 88 1401  
Finland +41 52 675 3777  
France +33 (0) 1 69 86 81 81  
Germany +49 (221) 94 77 400  
Hong Kong (852) 2585-6688  
India (91) 80-22275577  
Italy +39 (02) 25086 1  
Japan 81 (3) 6714-3010  
Luxembourg +44 (0) 1344 392400  
Mexico, Central America & Caribbean 52 (55) 5424700  
Middle East, Asia and North Africa +41 52 675 3777  
The Netherlands 090 02 021797  
Norway 800 16098  
People's Republic of China 86 (10) 6235 1230  
Poland +41 52 675 3777  
Portugal 80 08 12370  
Republic of Korea 82 (2) 528-5299  
Russia & CIS +7 (495) 7484900  
South Africa +27 11 254 8360  
Spain (+34) 901 988 054  
Sweden 020 08 80371  
Switzerland +41 52 675 3777  
Taiwan 886 (2) 2722-9622  
United Kingdom & Eire +44 (0) 1344 392400  
USA 1 (800) 426-2200

For other areas contact Tektronix, Inc. at: 1 (503) 627-7111

Updated 15 September 2006

Our most up-to-date product information is available at:

[www.tektronix.com](http://www.tektronix.com)



Product(s) are manufactured in ISO registered facilities.

Product(s) complies with IEEE Standard 488.1-1987, RS-232-C, and with Tektronix Standard Codes and Formats.

Copyright © 2007, Tektronix. All rights reserved. Tektronix products are covered by U.S. and foreign patents, issued and pending. Information in this publication supersedes that in all previously published material. Specification and price change privileges reserved. TEKTRONIX and TEK are registered trademarks of Tektronix, Inc. All other trade names referenced are the service marks, trademarks or registered trademarks of their respective companies.

2/07 DV/WOW

76W-20381-1

**Tektronix**  
Enabling Innovation