

2-12.4 GHz

**Broadband
Variable Attenuators**

- Smooth, Continuous Operation Over Full Range
- Duo-Dial Drive for Easier Resetting and Positive Locking
- High Attenuation Over a Broad Frequency Range
- Designed for Panel Mounting

Specifications

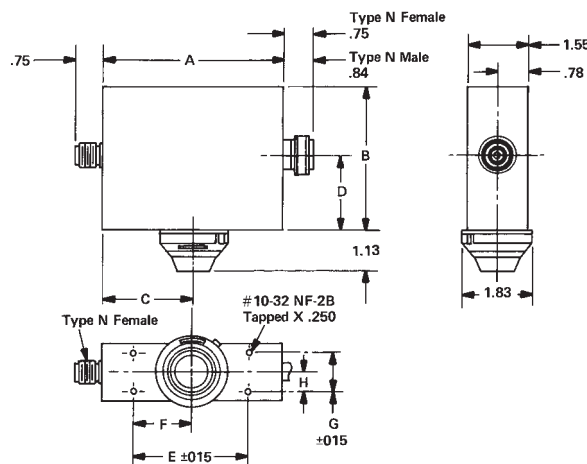
FREQUENCY RANGE GHz	MODEL	ATTENUATION RANGE		POWER INPUT		VSWR (max)	INSERTION LOSS dB (max)	WEIGHT (max)	
		2-2.5	2.5-12.4	AVG. W (max)	PEAK kW (max)			oz	kg
2-12.4	791F (M/F)	0-35	0-37.5	10	5	1.30	1.5	92.8	2.63
	792F (M/F)	0-17.5	0-20	10	5	1.30	1.0	40.0	1.13

NOTES:

Connectors are Type N stainless steel.

All units are supplied with a female input connector and your choice of output.

Specify "M" for male output connector (ie 791FM), and "F" for female output connector (ie 791FF).

Outline Drawing

Model No.	A	B	C	D	E ±.015	F	G ±.015	H
791	9.19	5.63	4.61	2.82	8.750	4.39	1.000	.51
792	5.01	4.01	2.51	2.15	4.375	2.20	0.875	.45

All dimensions are max. unless otherwise specified.