



Dual Channel Cross-correlation Phase Noise Measurement

Application Notes

Dual Channel Cross-correlation Phase Noise Measurement

Introduction

Microsemi designs and manufactures microwave amplifiers with low residual phase and amplitude noise. A Dual Channel Cross-correlation PM/AM Noise Measurement System is used to develop low phase noise amplifier solutions covering frequencies from 1 GHz to 18 GHz with phase noise performance as low as -180dBc/Hz . The Figure 1 shows the residual phase noise performance of an X-Band amplifier at 11GHz displaying -167 dBc/Hz at 1 KHz offset from the carrier.

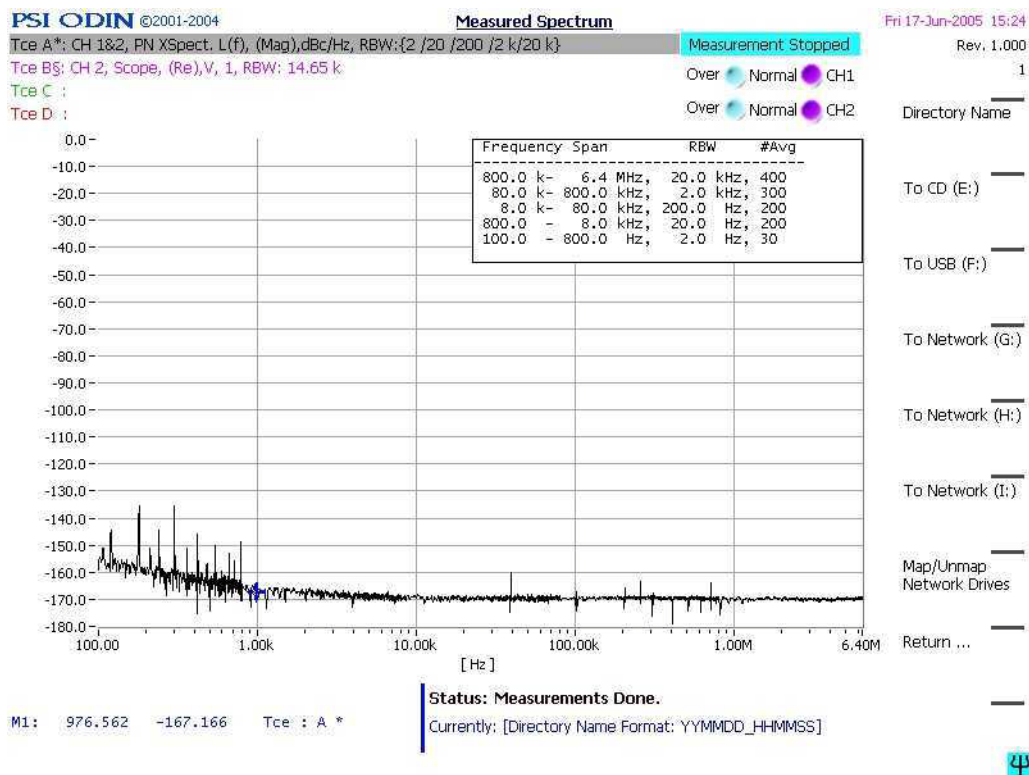


Figure 1 • Residual Phase Noise Performance

X-Band Low Phase Noise Amplifier
Gain = 16 dB
P1dB = 18 dBm
 -167 dBc/Hz at 1 KHz offset from carrier

Residual Phase Noise Measurement

For residual phase noise measurements, the measurement set up as seen in [Figure 2](#), consists of a reference source, splitter, phase shifter, and double balanced mixer. The phase shifter is used to bring the signals at the RF and LO ports of the mixer into quadrature. The mixer acts as a phase detector and outputs a DC voltage at the IF port proportional to the phase difference between the RF and LO. The FFT analyzer processes this signal and the residual phase noise is determined. Single channel measurements lump the phase noise from the DUT, mixer and baseband amplifiers together and calls the result, the residual phase noise of the DUT. There is an inherent inaccuracy in this approach when measuring extremely low phase noise amplifiers.

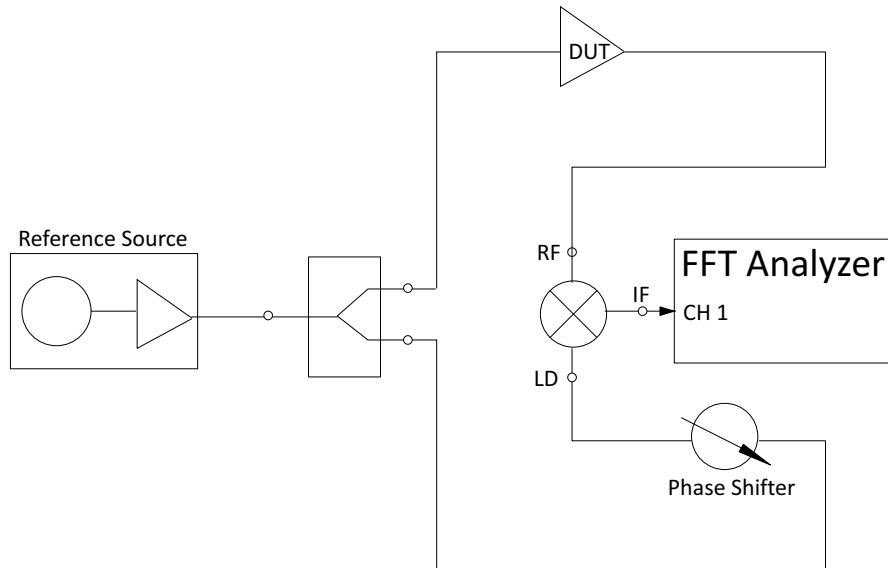


Figure 2 • Block Diagram of Residual Phase Noise Measurement Set Up

Dual Channel Cross Correlation Measurement

Cross correlation removes the mixer and baseband LNA noise from the measurement results. Referring to the block diagram of the Dual Channel Cross Correlation Set Up shown in [Figure 3](#), the FFT analyzer analyzes the data from two measurement channels for correlation. The phase noise from the device under test is coherent or correlated in both channels and averages to a finite value. The flicker noise from the mixer diodes and white noise from the baseband LNAs are non-coherent (they are independent sources of phase noise) and this noise averages downward to zero.

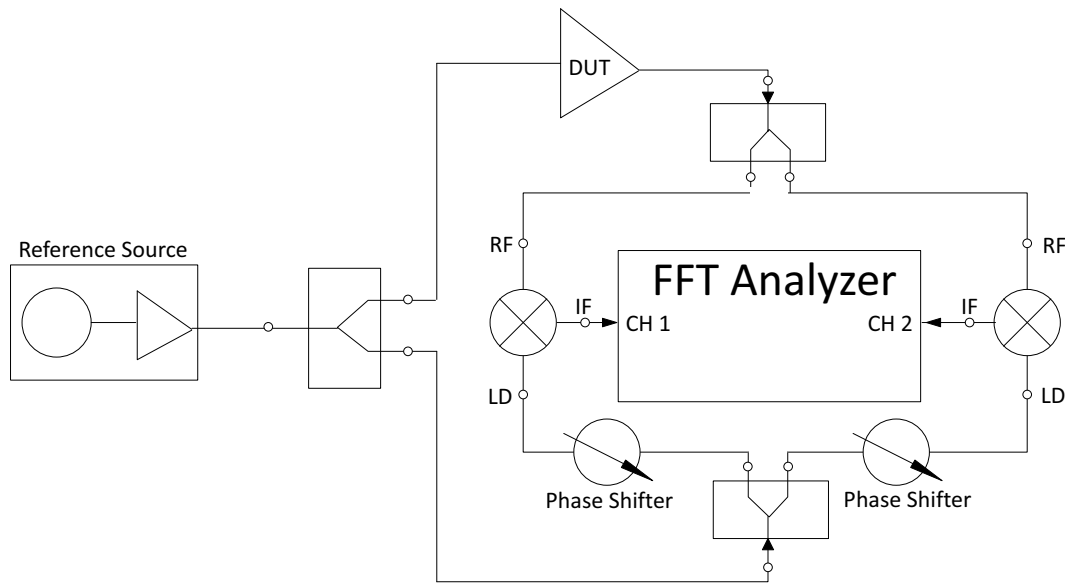


Figure 3 • Block Diagram of Dual Channel Cross Correlation Measurement Set Up

The Figure 4 illustrates the effectiveness of cross correlation when measuring an amplifier with extremely low phase noise. Traces 1 and 2 (black and red) show the phase noise performance of the amplifier when measured with two separate single channels. Trace 3, with Cross correlation, has removed 4 dB to 5 dB of additive noise from the measurement system. This trace represents the true performance of this amplifier, -165 dBc/Hz at 1 KHz offset.

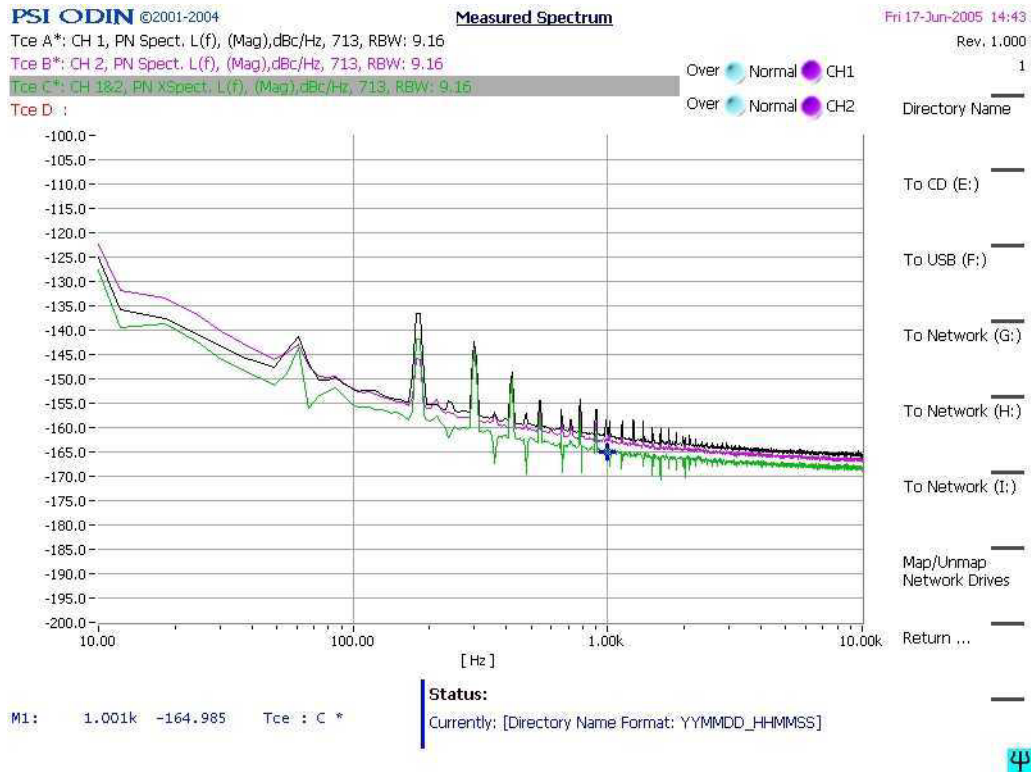


Figure 4 • Effectiveness of Cross Correlation when Measuring an Amplifier with Extremely Low Phase Noise

- Trace A - Amplifier Performance through Channel 1
- Trace B – Amplifier Performance through Channel 2
- Trace C – Amplifier Performance with Cross Correlation between channels 1 and 2

Measurement System Noise Floor

The noise floor of the measurement system is critical. A high noise floor can mask the true performance of a device. Ideally, the noise floor is at least 10 dB below the noise of the device. The Microsemi noise floor is measured regularly to guarantee the validity of the results. In Figure 5, Cross correlation has reduced the measurement noise floor by 10 dB to 15 dB.

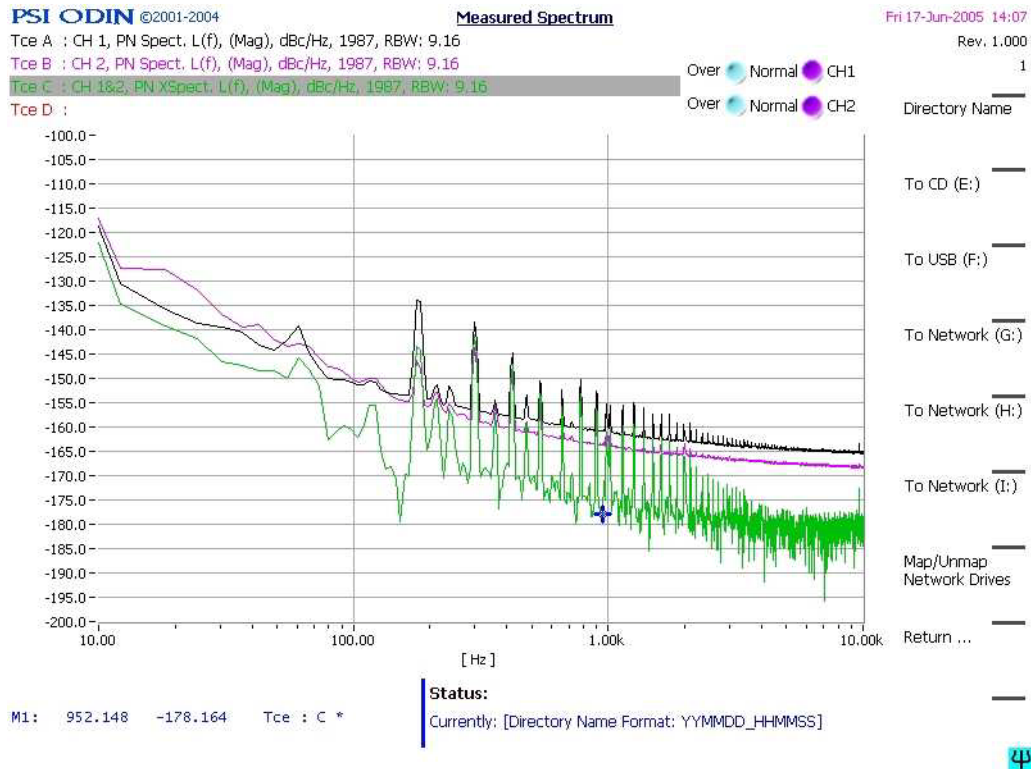


Figure 5 • Measurement System Noise Floor at X-Band

After approximately 2,000 averages the noise floor has reduced by over 12 dB

Reference Source

The Reference Source provides RF drive to the DUT and its AM and PM noise contributes to the phase noise floor of the measurement system. Referring to the single channel diagram, source PM noise is present at both the RF and LO ports of the mixer. Phase noise from the source is cancelled assuming the RF and LO paths are at quadrature and have equal electrical delays. Microsemi's reference source consists of a low phase noise signal generator and a low AM noise driver amplifier. Note, AM noise from the reference source is coherent in both channels and therefore is not removed during cross correlation measurements.

List of Changes

The following table shows important changes made in this document for each revision.

Date	Changes	Page
Revision 1 (December 2015)	Updated to Microsemi format.	NA
Revision 0	Initial Release	NA

Note: *The revision number is located in the part number after the hyphen. The part number is displayed at the bottom of the last page of the document. The digits following the slash indicate the month and year of publication.



Microsemi Corporate Headquarters
One Enterprise, Aliso Viejo,
CA 92656 USA

Within the USA: +1 (800) 713-4113
Outside the USA: +1 (949) 380-6100
Sales: +1 (949) 380-6136
Fax: +1 (949) 215-4996

E-mail: sales.support@microsemi.com

© 2015 Microsemi Corporation. All rights reserved. Microsemi and the Microsemi logo are trademarks of Microsemi Corporation. All other trademarks and service marks are the property of their respective owners.

Microsemi Corporation (Nasdaq: MSCC) offers a comprehensive portfolio of semiconductor and system solutions for communications, defense & security, aerospace and industrial markets. Products include high-performance and radiation-hardened analog mixed-signal integrated circuits, FPGAs, SoCs and ASICs; power management products; timing and synchronization devices and precise time solutions, setting the world's standard for time; voice processing devices; RF solutions; discrete components; security technologies and scalable anti-tamper products; Ethernet solutions; Power-over-Ethernet ICs and midspans; as well as custom design capabilities and services. Microsemi is headquartered in Aliso Viejo, Calif., and has approximately 3,600 employees globally. Learn more at www.microsemi.com.

Microsemi makes no warranty, representation, or guarantee regarding the information contained herein or the suitability of its products and services for any particular purpose, nor does Microsemi assume any liability whatsoever arising out of the application or use of any product or circuit. The products sold hereunder and any other products sold by Microsemi have been subject to limited testing and should not be used in conjunction with mission-critical equipment or applications. Any performance specifications are believed to be reliable but are not verified, and Buyer must conduct and complete all performance and other testing of the products, alone and together with, or installed in, any end-products. Buyer shall not rely on any data and performance specifications or parameters provided by Microsemi. It is the Buyer's responsibility to independently determine suitability of any products and to test and verify the same. The information provided by Microsemi hereunder is provided "as is, where is" and with all faults, and the entire risk associated with such information is entirely with the Buyer. Microsemi does not grant, explicitly or implicitly, to any party any patent rights, licenses, or any other IP rights, whether with regard to such information itself or anything described by such information. Information provided in this document is proprietary to Microsemi, and Microsemi reserves the right to make any changes to the information in this document or to any products and services at any time without notice.