

Agilent N4876A 28 Gb/s Multiplexer 2:1

Data Sheet
Revision 1.0



Features and Benefits

- Variable data rate up to 28.4 Gb/s
- Multiplexes two generator channels
- Front-end box for J-BERT or ParBERT
- Control via J-BERT or with stand-alone user interface via USB/LAN interface
- Small size

Applications

Accurate characterization up to 28 Gb/s

The N4876A 28 Gb/s Multiplexer allows to extend the pattern generator data rate of the J-BERT N4903B and ParBERT 81250A up to 28.4 Gb/s. Design and test engineers in the semiconductor, communications, storage and computer industry can now accurately characterize the next generation of serial interfaces operating at bit rates of up to 28.4 Gb/s. With its excellent output performance the N4876A helps to optimize design margins by minimizing the influence of the test equipment on measurement results. The multiplexer is transparent to jitter, so when using it with the J-BERT N4903B, calibrated RJ and PJ can be generated. The small size allows locating the device under test closely to the outputs of the N4876A.

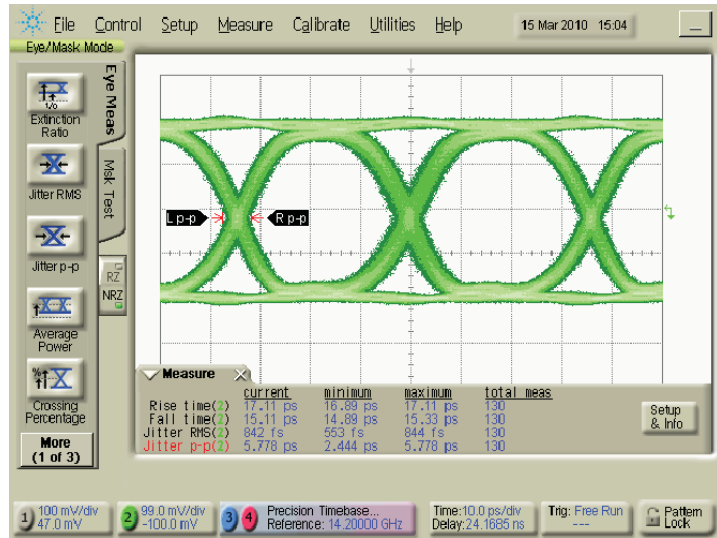


Figure 1. The N4876A multiplexer offers excellent output performance. The example shows a 28.4 Gb/s PRBS signal, using J-BERT's internal clock, PRBS15 and is captured with Agilent 86117A DCA-J Module

Affordable path to 28 Gb/s pattern generation

The N4876A multiplexer doubles the pattern generator data rate by multiplexing two pattern generator channels. The N4876A extends the variable generator data rate of J-BERT N4903B up to 28.4 Gb/s and of ParBERT 81250A up to 27.0 Gb/s. It's an affordable path to extend the operating rate up to 28.4 Gb/s by just adding the multiplexer front-end to a 12.5/13.5/14.2 Gb/s BERT pattern generator.

Accurate eye, mask and jitter analysis

The Agilent Infiniium DCA-J wide bandwidth oscilloscope offers the most precise waveform, eye, mask and jitter analysis of optical or electrical and advanced eye analysis options.

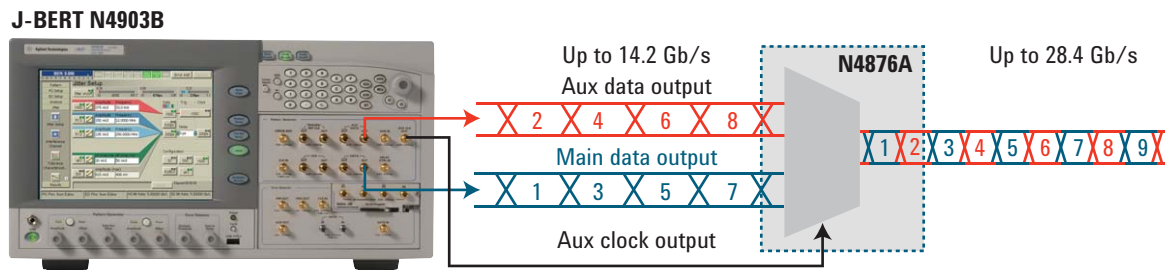


Figure 2. Two generator channels are multiplexed by the N4876A, doubling the generator data rate and interleaving the pattern bits from aux data and main data input. Example shows setup with J-BERT N4903B.

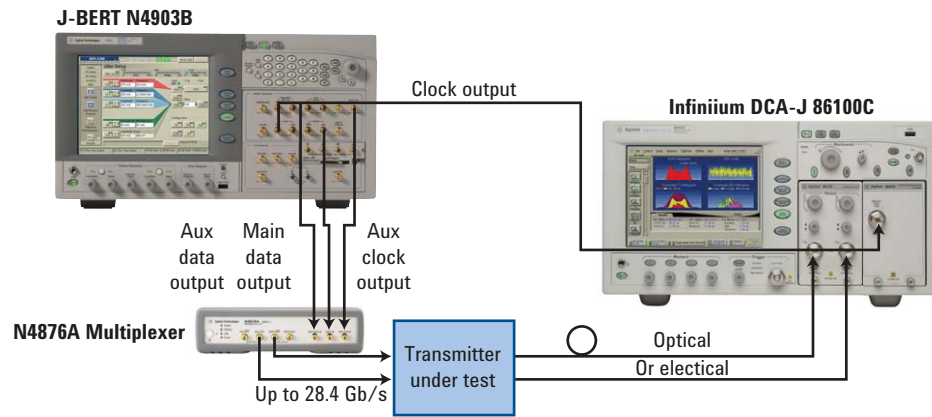


Figure 3. Transmitter test setup with N4876A, J-BERT N4903B and Infiniium DCA-J.

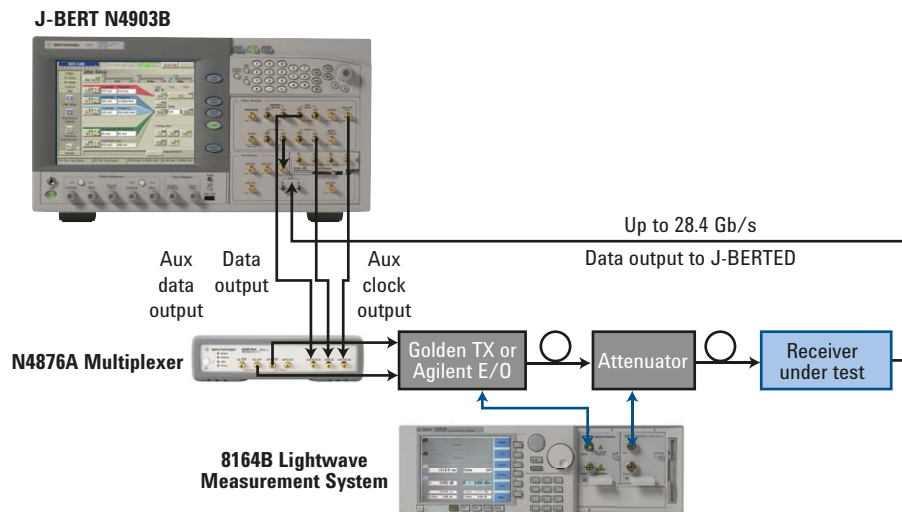


Figure 4. Receiver Tolerance Test Setup with N4876A, J-BERT N4903B using error detector clocked from main clock out and undersampling technique.

Specifications N4876A



Figure 5. Front panel view of N4876A.

Table 1. Specifications for multiplexer outputs

Output data rate	1.25 Gb/s to 27.0 Gb/s (28.4 Gb/s when using J-BERT N4903B option D14)
Output format	NRZ
Output amplitude	0.05 V _{pp} to 1.800 V _{pp} , 5 mV resolution
Output voltage window	-2.00 V to + 3.00 V
External termination voltage	- 2.00 V to +3.00 V
Output transition times	10 ps typ. (20% - 80%) 15 ps typ. (10% - 90%)
Differential skew	0 ps typ.
Intrinsic jitter	1 ps rms typical with disabled jitter sources and J-BERT N4903B internal clock
Jitter feed-through	Transparent for timing jitter on clock (data must be provided accordingly). S.I. and ISI shall be added after multiplexer. Notice: after multiplexing 1UI will be 2 UI
Variable Clk/2 jitter	45% to 55% or -10 ps to + 10 ps whatever is less. Notice: this means that eye 1 can be up to 10 ps longer/shorter than eye 2
Crossing point	Adjustable 20% to 80% typical
Outputs on/off	Via J-BERT UI
Interface	Differential or single-ended, DC coupled, 50 Ω output impedance
Connectors	2.4 mm, female

Table 2. Specifications for multiplexer inputs

Input voltage data inputs	Hi-level: 0 V nominal, max: +0.4 V Low-level: -0.8 V nominal, min.: -1.2 V, DC coupled
Input format	Data: NRZ; Clock: RZ, full-rate
Input voltage clock input	0.4 V _{pp} nominal, max: 800 mV in +/- 8V window, AC-coupled
Interface	single-ended, 50 Ω input impedance
Connectors	SMA, female

Target Applications for N4876A

- IEEE 802.3 ba 100GBASE-LR4, -ER4 interfaces operating at data rates of 25.78125 Gb/s
- OIF CEI backplanes operating between 19.9 and 28 Gb/s
- T11 16x or 32x Fibre Channel
- Clean generator for transmitter test
- Stressed generator for receiver tolerance testing
- Clock/2 jitter injection

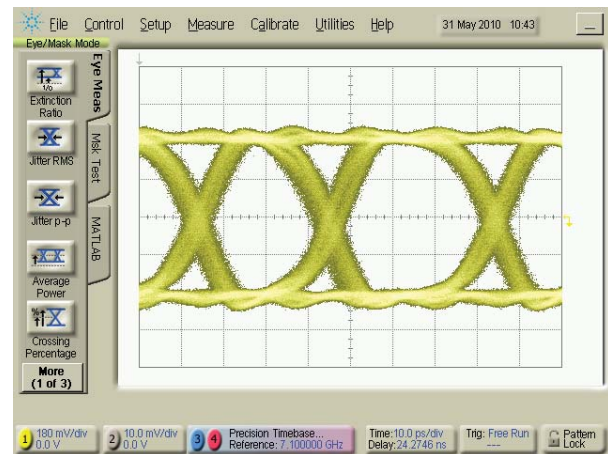


Figure 6. The N4876A allows generating bit streams where even bits have a longer (or shorter) pulse duration than odd bits. (Clock/2 jitter). Example is captured with Agilent 86118A and 86107A precision time base module.

Specifications N4876A

Table 3. General characteristics

Operating temperature	5 °C to 40 °C (-23 °F to 104 °F) Auto-adjustment required after warm-up. If operating temperature changes > 5 °C auto adjustment is needed
Storage temperature	-40 °C to +70 °C (-65 °F to 158 °F)
Operating humidity	95% relative humidity, non-condensing
Storage humidity	50% relative humidity
Power requirements	100V to 240V +/-10%, 50 Hz to 60 Hz, 80 VA
Physical dimensions	Bench top with bumper: 228 x 59 x 360 mm (9.0 x 2.3 x 14.2 in) Rack mount without bumper: ½ x 19" width, 1U height: 213 x 44.5 x 360 mm (8.4 x 1.8 x 14.2 in)
Weight net	2,9 kg (6.4 lb)
Weight shipping	5.5 kg (12.1 lb)
Recommended recalibration period	1 year recommended. For calibration services see ordering information
Warranty period	1 year return to Agilent. See ordering instructions for extended warranty

Control and Programming

The N4876A can be controlled via USB interface from J-BERT N4903B user interface or from a stand-alone user interface with programming examples.

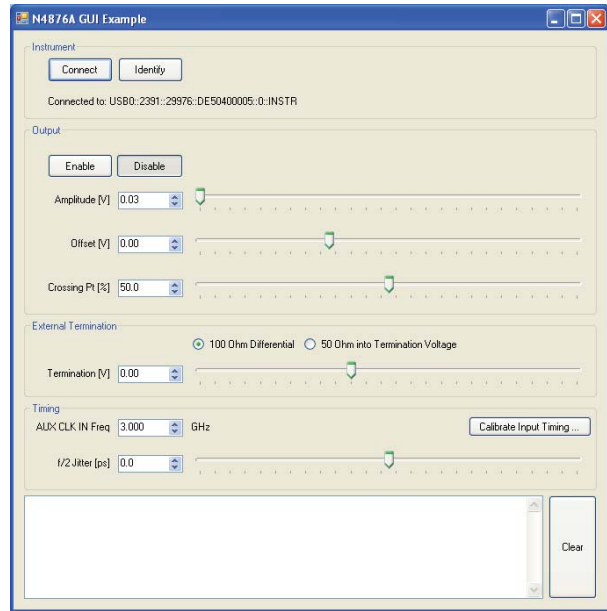


Figure 7. Controlling the N4876A multiplexer parameters from a stand-alone user interface.

Remote control interfaces:

Connectivity: USB 2.0, LAN (rear panel)

Programming language: SCPI

Via J-BERT N4903B: via USB, required SW rev. 6.7x or later

Stand-alone user interface:

System requirements: Microsoft Windows®, Agilent IO library suite rev. 15.5, Microsoft .NET 2.0.



Figure 8. Rear panel view of N4876A.

Specifications N4876A

Regulatory standards:

Safety: IEC61010-1:2001, EN61010-1:2001, CAN/CSA-C22 No 61010-04, UL 61010-1:2004

EMC: IEC 61326-1:2005, EN 61326-1:2006

Environmental: RoHS compliant

Quality management: ISO 9001, ISO 14001

Specification assumptions:

The specifications in this document describe the instruments warranted performance. Non-warranted values are described as typical. All specifications are valid in a range from 5 °C to 40 °C ambient temperature after a warm-up time of 30 minutes and after Auto-Adjustment. If not otherwise stated, all inputs and outputs need to be terminated with 50 Ω to GND. All specifications, if not otherwise stated, are valid using the recommended cable set N4910A (2.4 mm, 24" matched pair).

Ordering Information

Accessories included in N4876A-001: three 50 Ω terminations, three adapters 2.4 mm to 3.5 mm, USB cable, UK6 test report, USB stick with getting started guide, user software and documentation

Table 4. Ordering information for N4876A

28 Gb/s Multiplexer 2:1	N4876A-001
Recommended accessories	
2.4 mm matched cable pair	N4910A
Matched cable kit for connecting N4876A with J-BERT N4903B (2 x 2.4 mm to SMA for data/aux data, 1x SMA to SMA for clk)	N4915A-011
Rack mount kit	E5810A-100
Warranty and calibration services	
Return-to-Agilent	R1280,R1282
On-site (US only)	R1288A,R1298A
Productivity assistance	R1380-N49xx
Rack mount kit	E5810A-100

Recommended J-BERT configuration:

N4903B with Option -C13, -002, -D14;

Optional: -J10 (jitter sources) and all others

Related Agilent Literature

Table 6. Related literature for N4876A

Publication title	Pub number
J-BERT N4903B Data Sheet	5990-3217EN
81250A ParBERT Data Sheet	5968-9188EN

Learn more:

www.agilent.com/find/n4876

www.agilent.com/find/contactus



Agilent Email Updates

www.agilent.com/find/emailupdates

Get the latest information on the products and applications you select.



www.lxistandard.org

LXI is the LAN-based successor to GPIB, providing faster, more efficient connectivity. Agilent is a founding member of the LXI consortium.

Agilent Channel Partners

www.agilent.com/find/channelpartners

Get the best of both worlds: Agilent's measurement expertise and product breadth, combined with channel partner convenience.

Remove all doubt

Our repair and calibration services will get your equipment back to you, performing like new, when promised. You will get full value out of your Agilent equipment throughout its lifetime. Your equipment will be serviced by Agilent-trained technicians using the latest factory calibration procedures, automated repair diagnostics and genuine parts. You will always have the utmost confidence in your measurements. For information regarding self maintenance of this product, please contact your Agilent office.

Agilent offers a wide range of additional expert test and measurement services for your equipment, including initial start-up assistance, onsite education and training, as well as design, system integration, and project management.

For more information on repair and calibration services, go to:

www.agilent.com/find/removealldoubt

www.agilent.com
www.agilent.com/find/n4876

For more information on Agilent Technologies' products, applications or services, please contact your local Agilent office. The complete list is available at:

www.agilent.com/find/contactus

Americas

Canada	(877) 894 4414
Latin America	305 269 7500
United States	(800) 829 4444

Asia Pacific

Australia	1 800 629 485
China	800 810 0189
Hong Kong	800 938 693
India	1 800 112 929
Japan	0120 (421) 345
Korea	080 769 0800
Malaysia	1 800 888 848
Singapore	1 800 375 8100
Taiwan	0800 047 866
Thailand	1 800 226 008

Europe & Middle East

Austria	43 (0) 1 360 277 1571
Belgium	32 (0) 2 404 93 40
Denmark	45 70 13 15 15
Finland	358 (0) 10 855 2100
France	0825 010 700*
	*0.125 €/minute
Germany	49 (0) 7031 464 6333
Ireland	1890 924 204
Israel	972-3-9288-504/544
Italy	39 02 92 60 8484
Netherlands	31 (0) 20 547 2111
Spain	34 (91) 631 3300
Sweden	0200-88 22 55
Switzerland	0800 80 53 53
United Kingdom	44 (0) 118 9276201

Other European Countries:

www.agilent.com/find/contactus

Revised: October 1, 2009

Product specifications and descriptions in this document subject to change without notice.

© Agilent Technologies, Inc. 2010
Printed in USA, June 21, 2010
5990-5247EN



Agilent Technologies