
Assembly Level Service Guide

This guide describes how to service the Agilent 53147A, 53148A, and 53149A. The information in this guide applies to instruments having the number prefix listed below, unless accompanied by a “Manual Updating Changes” package indicating otherwise.

SERIAL PREFIX NUMBER: **US4047 (53147A)**
 US4048 (53148A)
 US4049 (53149A)

Agilent 53147A/148A/149A
Microwave Frequency Counter/
Power Meter/DVM

© Copyright Agilent Technologies, Inc. 2001, 2002

All Rights Reserved. Reproduction, adaptation, or translations without prior written permission is prohibited, except as allowed under the copyright laws.

Printed: May 2002

Printed in U.S.A.

**Manual part number
53147-90010**

Certification and Warranty

Certification

Agilent Technologies, Inc. certifies that this product met its published specification at the time of shipment from the factory. Agilent further certifies that its calibration measurements are traceable to the United States National Institute of Standards and Technology (formerly National Bureau of Standards), to the extent allowed by the Institute's calibration facilities, and to the calibration facilities of other International Standards Organization members.

Warranty

Agilent warrants Agilent hardware, accessories and supplies against defects in materials and workmanship for a period of one year from date of shipment. If Agilent receives notice of such defects during the warranty period, Agilent will, at its option, either repair or replace products which prove to be defective. Replacement products may be either new or like-new.

Agilent warrants that Agilent software will not fail to execute its programming instructions, for the period specified above, due to defects in material and workmanship when properly installed and used. If Agilent receives notice of such defects during the warranty period, Agilent will replace software media which does not execute its programming instructions due to such defects.

For detailed warranty information, see back matter.

Safety Considerations

General

This product and related documentation must be reviewed for familiarization with this safety markings and instructions before operation.

Before Cleaning

Disconnect the product from operating power before cleaning.

Warning Symbols That May Be Used In This Book



Instruction manual symbol; the product will be marked with this symbol when it is necessary for the user to refer to the instruction manual.



Indicates hazardous voltages.



Indicates earth (ground) terminal.



or



Indicates terminal is connected to chassis when such connection is not apparent.



Indicates Alternating current.



Indicates Direct current.

Safety Considerations (cont'd)

WARNING

BODILY INJURY OR DEATH MAY RESULT FROM FAILURE TO HEED A WARNING. DO NOT PROCEED BEYOND A WARNING UNTIL THE INDICATED CONDITIONS ARE FULLY UNDERSTOOD AND MET.

CAUTION

Damage to equipment, or incorrect measurement data, may result from failure to heed a caution. Do not proceed beyond a *CAUTION* until the indicated conditions are fully understood and met.

Safety Earth Ground

An uninterruptible safety earth ground must be maintained from the mains power source to the product's ground circuitry.

WARNING

WHEN MEASURING POWER LINE SIGNALS, BE EXTREMELY CAREFUL AND ALWAYS USE A STEP-DOWN ISOLATION TRANSFORMER WHICH OUTPUT IS COMPATIBLE WITH THE INPUT MEASUREMENT CAPABILITIES OF THIS PRODUCT. THIS PRODUCT'S FRONT AND REAR PANELS ARE TYPICALLY AT EARTH GROUND. *THUS, NEVER TRY TO MEASURE AC POWER LINE SIGNALS WITHOUT AN ISOLATION TRANSFORMER.*

For additional safety and acoustic noise information, see back matter.

Contents

1	Performance Tests	
	Introduction	1-2
	Operational Verification	1-2
	Complete Performance Tests	1-3
	Recommended Calibration Cycle	1-3
	Test Record	1-3
	Equipment Required	1-4
	Operational Verification	1-6
	Power-On Self Tests	1-6
	10 MHz Test	1-8
	Run Self Test	1-9
	External Timebase Test	1-10
	Power Meter Test	1-13
	DVM Test	1-15
	Complete Performance Tests	1-17
	Test 1: Channel 1 Frequency Sensitivity	1-18
	Test 1a: 10 Hz to 20 MHz Frequency Sensitivity	1-18
	Test 1b: 50 MHz to 125 MHz Frequency Sensitivity	1-20
	Test 2: Channel 2 Frequency Sensitivity	1-23
	Test 2a: 50 MHz to 20 GHz Frequency Sensitivity	1-23
	Test 2b: 22 GHz to 26.5 GHz Frequency Sensitivity	1-25
	Test 2c: 30 GHz to 46 GHz Frequency Sensitivity	1-26
	Test 3: Power Measurement	1-27
	Power Measurement Accuracy Test	1-27
	Test 4: Power Reference Oscillator Frequency	1-30
	Power Reference Oscillator Frequency Test	1-30
	Test 5: Power Meter Reference Level	1-32
	Power Meter Reference Level: Method 1	1-32
	Power Meter Reference Level: Method 2	1-34
	Performance Test Record (Page 1 of 3)	1-39
	Performance Test Record (Page 2 of 3)	1-40
	Performance Test Record (Page 3 of 3)	1-41

2 Service

Introduction	2-2
Returning the Instrument to Agilent Technologies for Service	2-3
Providing Repair Information	2-3
Packing the Instrument in the Original Packaging Materials	2-4
Packing the Instrument in Commercially Available Packaging Materials	2-4
Calibration Procedures	2-6
Equipment Required	2-6
10 MHz Timebase Calibration	2-7
Power Reference Oscillator Frequency Calibration	2-9
Power Reference Oscillator Level Adjustment	2-13
DVM Calibration	2-20
Pre-Troubleshooting Information	2-23
Safety Considerations	2-23
Recommended Test Equipment	2-24
Repair Considerations	2-24
Electrostatic Discharge	2-24
Surface Mount Repair	2-25
Disassembly and Reassembly Specifics	2-25
After Service Considerations	2-25
Product Safety Checks	2-25
Product Performance Checks	2-26
Assembly Identification and Location	2-26
Troubleshooting the Instrument	2-28
Power Supply Check	2-28
Adjusting the +5 VDC Output	2-29
Self-Test	2-30
Running the Self Test	2-30
Self Test Error Messages	2-31

3	Replacing Assemblies	
	Introduction	3-2
	Tools Required	3-3
	Do This First	3-3
	Removing the Bumpers	3-4
	Removing the Handle	3-5
	Removing the Bumper Retainers	3-6
	Removing the Shroud	3-7
	Removing the Front Panel Assembly	3-9
	Removing the Rear Panel Assembly	3-11
	Removing the Cooling Fan	3-14
	Removing the Power Supply	3-15
4	Replaceable Parts	
	Introduction	4-2
	Replaceable Parts	4-2
	How To Order A Part	4-3
	Contacting Agilent Technologies	4-4
	Parts Identification	4-5
	Reference Designations	4-5
	Cabinet Parts and Hardware	4-5
	Accessories and Miscellaneous Items	4-5
5	Backdating	
	Introduction	5-2
6	Specifications	
	Introduction	6-2
	Measurement Specifications and Characteristics	6-3
A	Rack Mounting the Instrument	A-2
	Index	

Contents

In This Guide

This guide provides assembly-level service information for the Agilent 53147A, 53148A, and 53149A.

How to Use This Guide

Repair Strategy

This service guide is designed to isolate failures to the assembly-level only.

The Agilent 53147A/148A/149A instruments can be returned to Agilent for all service work, including troubleshooting, and verifying specifications. Contact your nearest Agilent Sales and Service Office for more details.

NOTE

ISD (Instrument Service Division) Emergency Response or Express Calibration Service is available for Agilent customers in the USA. If downtime is critical, you can receive your repaired instrument via overnight shipment. Call 800-403-0801, and ask for *Emergency Response or Express Calibration Service*. When your instrument is repaired, it is returned via overnight shipment at no extra charge.

If you decide to service the instrument yourself, use the troubleshooting procedures in Chapter 2 (Service) and the disassembly and reassembly procedures in Chapter 3 (Replacing Assemblies). Then use the calibration instructions in Chapter 2 to calibrate the instrument for peak-performance operation, and finally, perform all of the performance tests in Chapter 1 to verify that the instrument is operating to the specifications.

Instrument Identification

The instrument is identified by the serial number on the rear panel. Agilent uses a two-part serial number with the first part (prefix) identifying a series of instruments and the second part (suffix) identifying a particular instrument within a series. Agilent-assigned alpha characters before the suffix identify the country in which the instrument was manufactured.

Instruments Covered by this Guide

This guide applies directly to Agilent 53147A, 53148A, and 53149A instruments that have the same serial number prefix(es) shown on the title page. If the serial number prefix of your instrument differs from that listed on the title page of this guide, there may be differences between this guide and your instrument.

Instruments having a higher serial prefix are covered (when required) by one or more manual-change sheets included with this guide. If a required change sheet is missing, contact your nearest Agilent Sales Office listed at the back of this guide.

Assembly-Level Service Guide Organization

This Assembly-Level Service Guide consists of a table of contents, a preface, six chapters, and an index. The page headers identify the chapters and sections of this manual. The chapter contents are summarized as follows:

Chapter 1 Performance Tests provides procedures that verify the instrument operates properly and meets the Agilent 53147A/148A/149A specifications given in Chapter 6, “Specifications,” in this guide.

Chapter 2 Service is divided into seven main sections that provide instructions for returning the instrument to Agilent for service, calibrating the instrument, and troubleshooting the assemblies in the instrument.

Chapter 3 Replacing Assemblies provides procedures for replacing defective assemblies and/or modules in the instrument.

In This Guide

Chapter 4 Replaceable Parts lists the replaceable parts contained in the instrument, and explains how to order replacement parts for your instrument.

Chapter 5 Backdating contains information required to adapt this manual for older instruments (to be provided when required).

Chapter 6 Specifications lists all the specifications and operating characteristics for the Agilent 53147A/148A/149A.

How to Order Guides

The part number for this guide is listed on the *Certification and Warranty* page (on the back of the title page) and on the back cover of this guide.

Description of the Microwave Frequency Counter/Power Meter/DVM

The Agilent 53147A, 53148A, and 53149A are capable of measuring frequencies from 10 Hz to 125 MHz on Channel 1 and from 50 MHz to 20 GHz (53147A), 26.5 GHz (53148A), and 46 GHz (53149A) on Channel 2. These instruments are also capable of measuring power (the power and frequency ranges for power measurement are dependent on the power-sensor model used) and DC voltages up to ± 50 VDC. All three instruments have a maximum frequency resolution of 1 Hz.

The Agilent 53147A, 53148A, and 53149A provide GPIB and RS-232 serial interfaces and are suitable for field, bench-top, and ATE operation.

The basic measurement functions of the Agilent 53147A/148A/149A include Frequency, Relative Frequency, Frequency Offset, and Power (including Power Offset and Relative Power). All of these features are accessible from the front panel and over the GPIB and RS-232 interfaces.

The Agilent 53147A/148A/149A includes the following additional measurement functions and features that are designed specifically for manufacturing and service applications:

- 1, 2, 5, and 10 MHz external reference capability
- Optional high-stability oven oscillator for high-accuracy needs and lengthened calibration cycles
- Frequency and power offset capabilities for relative measurements
- SCPI programming capability
- Battery and dc input option for operation in locations where ac power is unavailable
- Optional soft carrying case for safe transportation and mobile use

Programmable control is performed via a GPIB or an RS-232 serial interface. The GPIB and RS-232C ports are standard for the Agilent 53147A, 53148A, and 53149A.

Options

The options available for the Agilent 53147A/148A/149A are listed following this paragraph. Specifications for the options are listed in Chapter 6, “Specifications.” Options ordered with the instrument are installed at the factory and are ready for operation on delivery.

Hardware

- High Stability Oven Timebase, Option 001
- Battery/DC Power Input, Option 002
- Rack Mount Kit, Option 1CM
- Soft Carrying Case, Option 007

Retrofit

Options 001 and 002 can be installed only by authorized Agilent Technologies Repair Centers.

Instructions for installing the Rack Mount Kit are provided in Appendix A.

Accessories Supplied and Available

Accessories Supplied

- Power cord, 2.3 meters (Part number dependent upon destination country)
- Power sensor cable (Agilent P/N 11730A)
- DVM test leads (Agilent P/N 34132B)

Accessories Available

- Soft Carrying Case (Agilent P/N 53147-80016)
- Automotive Power Adapter (Agilent P/N 53150-60214)
- Battery (Agilent P/N 53150-80010)
- GPIB Cables (Agilent P/N 10833A/B/C/D)
- RS-232 Cable (Agilent P/N 53150-60215)
- Power Sensors (Agilent 8480 series)

Manuals Supplied

Agilent 53147A / 148A / 149A Operating and Programming Guide
(Agilent P/N 53147-90009)

Agilent 53147A / 148A / 149A Assembly-Level Service Guide
(Agilent P/N 53147-90010)

1

Performance Tests

Verifying Specifications

Introduction

This chapter provides procedures to test the electrical performance of the Agilent 53147A, 53148A and 53149A. These procedures are based on the specifications in Chapter 6, “Specifications.”

Two types of testing are provided:

- Operational Verification
- Complete Performance Tests

This chapter is organized as follows:

- Introduction pg. 1-2
- Equipment Required pg. 1-4
- Operational Verification pg. 1-6
- Complete Performance Tests pg. 1-17
- Performance Test Record pg. 1-39

Operational Verification

Operational Verification is an abbreviated series of tests that you can perform (instead of performing the Complete Performance Tests) to provide a high degree of confidence that the instrument is operating properly. Operational Verification is useful for incoming inspection, routine maintenance, and after instrument repair.

Introduction

Complete Performance Tests

The Complete Performance Tests verify the specifications listed in Chapter 6, “Specifications.” All tests can be performed without opening the instrument.

Recommended Calibration Cycle

The instrument requires periodic verification of operation. Depending on the type of use, environmental conditions, aging, and measurement accuracy required, the instrument should be checked using the operational verification procedure at least once every year. A full Calibration and Performance Test should be performed each time the instrument changes environment or if an assembly or module has been replaced.

Test Record

The results of the Operational Verification and the Complete Performance Tests should be recorded on a copy of the Performance Test Record, located at the end of the Complete Performance Test section in this chapter.

Equipment Required

Table 1-1 lists the test equipment and accessories needed to perform the tests in this chapter.

Table 1-1. Recommended Test Equipment and Accessories

Instrument Type	Required Characteristics	Model Recommended *	Quantity Required	Use **
Synthesized Signal Generator	10 Hz to 20 MHz, +7 dBm to -40 dBm	Agilent 3325A/B	2	OV, P, T
Microwave Synthesized Signal Generator	10 MHz to 50 GHz, Accuracy $>1 \times 10^{-10}$ +7 dBm to -50 dBm	Agilent 83650B	1	P, T
Microwave Amplifier	45 MHz to 50 GHz	Agilent 83051A	1	P, T
Digital Multimeter	6½ digit AC/DC	Agilent 34401A	1	OV, P
DC Power Supply	25 VDC	Agilent E3640A	1	OV
Frequency Counter	10 Hz to 125 MHz	Agilent 53150A/51A/52A	1	P, C, T
Power Meter	Range 1 mW	Agilent 432A	1	P, C, T
Power Meter	50 MHz to 50 GHz, +13 dBm to -50 dBm	Agilent 437B	1	P, C, T
Power Meter	100 kHz to 110 GHz, -70 dBm to +44 dBm	Agilent E4418B	1	P, C, T
Thermistor Mount	SWR 1.05 at 50 MHz Accuracy $\pm 0.5\%$ at 50 MHz	Agilent 478A-H75 or 478A-H76	1	P, T
Power Sensor	10 MHz to 18 GHz, -30 dBm to +20 dBm	Agilent 8481A	1	P, T
Power Sensor	50 MHz to 50 GHz, +13 dBm to -50 dBm	Agilent 8487A	1	P, C, T
Power Sensor Cable	2.4 mm to 2.4 mm, 5 ft.	Agilent 11730A	2†	P, T
Power Sensor Cable		Agilent 8120-1082	1	P, T
Range Calibrator	3, 10, 30, 100, and 300 μ W 1, 3, 10, 30, and 100 mW	Agilent 11683A	1	P

* Equivalent equipment can be substituted for all instruments and accessories.

** OV = Operational Verification P = Performance Tests C = Calibration T = Troubleshooting

† One supplied with Agilent 53147A/48A/49A

Chapter 1 Performance Tests
Equipment Required

Table 1-1. Recommended Test Equipment and Accessories (continued)

Instrument Type	Required Characteristics	Model Recommended *	Quantity Required	Use **
20 dB Attenuator	DC to 50 GHz 2.4 mm (m) to 2.4 mm (f)	Agilent 8490D (Opt. 020)	1	P, T
Power Splitter	DC to 50 GHz 2.4 mm (f3x)	Agilent 11667C/D	1	P, T
Cables	BNC (m) to BNC (m) 2.4 mm (m) to 2.4 mm (m)	Agilent 10503 series	2	OV, P, C, T
Adapters	BNC (f) to Type N (m)	Agilent E9635A	1	P, C, T
	BNC (m) to SMA (f)	Agilent 1250-2015	1	
	3.5 mm (f) to 2.92 mm (m)	—	1	
	2.92 mm (m) to 2.4 mm (m)	Agilent 11904A	1	
	2.92 mm (m) to 2.4 mm (f)	Agilent 11904D	1	
	2.4 mm (m) to 2.4 mm (m)	Agilent 11900A	1	
2.4 mm (f) to 2.4 mm (f)	Agilent 11900B	1		

* Equivalent equipment can be substituted for all instruments and accessories.

** OV = Operational Verification P = Performance Tests C = Calibration T = Troubleshooting

† One supplied with Agilent 53147A/48A/49A

Operational Verification

Operational Verification is an abbreviated series of tests that you can perform (instead of performing the Complete Performance Tests) to provide a high degree of confidence that the instrument is operating properly. Operational Verification is useful for incoming inspection, routine maintenance, and after instrument repair.

If you are not familiar with operating the instrument, you should review the Chapter 1, “Getting Started,” in the *Agilent 53147A / 148A / 149A Operating Guide*. However, the procedures in this chapter are written so that little experience is necessary. These procedures should be followed in the order in which they appear.

Power-On Self Tests

NOTE

This test is appropriate for the Agilent 53147A, 53148A, and 53149A.

- 1 Inspect the instrument for damage.
- 2 Make sure no cables are connected to the instrument’s inputs.
- 3 Connect the power cord to the instrument and the power source.

NOTES

- Since the instrument’s power supply automatically senses the line voltage, there is no AC input-voltage setting.
- It is normal for the fan in the instrument to run when the instrument is in Standby mode. Power is supplied to the timebase whenever the power cord is connected to maintain long-term measurement reliability, and the fan helps to maintain the timebase’s temperature stability.

- 4 Press and release the **Power** button on the front panel.

Chapter 1 Performance Tests
Operational Verification

- 5 Verify that the front-panel display shows the following:
 - All segments of the front-panel display are temporarily activated.
 - TESTING is displayed.
 - SELF TEST OK is displayed.
 - The model number of the instrument is displayed (a four-digit hex number is also displayed).
 - GPIB ADDR nn (nn = a two digit number from 0 to 30) is displayed.
 - CH2 NO SIGNAL is displayed.
- 6 If an error message is displayed, refer to the troubleshooting section in Chapter 2, "Service."
- 7 Mark Pass or Fail in the Performance Test Record on page 1-39, Test 1.

NOTE

To ensure that the test results are valid, the instrument and the test equipment should be powered on for at least 30 minutes prior to beginning the tests. This allows the internal temperatures of the equipment and the timebase to stabilize.

Operational Verification

10 MHz Test

- 1 Connect a BNC-to-BNC cable from the **Reference 10MHz** connector on the instrument's rear panel to the **CHANNEL 1** input connector on the front panel.
- 2 Press and release the **Chan Select** key.
- 3 Verify that **Ch 1** is displayed in the upper-left corner of the display.
- 4 Verify that the display reads 10,000,000 Hz.
- 5 Mark Pass or Fail in the Performance Test Record on page 1-39, Test 2.

Run Self Test

NOTE

This test is appropriate for the Agilent 53147A, 53148A, and 53149A.

- 1 Disconnect all signal cables from the input and **Reference 10MHz** connectors.
- 2 Press and release the **Shift** key, and then press and release the **Menu (Reset/Local)** key.
- 3 Press the up- and/or down-arrow key(s) as many times as necessary until DO SELF TEST is displayed.
- 4 Press and release the **Enter** key.
- 5 If no errors are detected, SELF TEST OK is briefly displayed when the self test is completed. If any error messages are displayed, refer to the troubleshooting section in Chapter 2, "Service."
- 6 Mark Pass or Fail in the Performance Test Record on page 1-39, Test 3.

Operational Verification

External Timebase Test

This test verifies the instrument's 10 MHz external timebase specification by verifying that setting REF OSC to EXT allows the instrument to be synchronized to an external reference signal.

Equipment Required

Agilent 3325A/B Synthesizer (2)

Agilent 10100C 50Ω Feedthrough Terminator

Agilent 10503 Series Coaxial Cables (BNC m to m) (2)

NOTES

- To ensure that the test results are valid, the instrument and the test equipment should be powered on for at least 30 minutes prior to beginning the tests. This allows the internal temperatures of the equipment to stabilize.
- These tests are appropriate for the Agilent 53147A, 53148A, and 53149A.

-
- 1 Connect an Agilent 10503 series coaxial cable between the output of the first Agilent 3325A/B Synthesizer and the **Reference 10MHz** connector on the instrument's rear panel (see Figure 1-1).
 - 2 Connect an Agilent 10100C 50Ω Feedthrough Terminator to the Counter's **Channel 1** input connector.
 - 3 Connect an Agilent 10503 series coaxial cable between the output of the second Synthesizer and the feedthrough terminator on the Counter's **CHANNEL 1** input connector.

Chapter 1 Performance Tests
Operational Verification

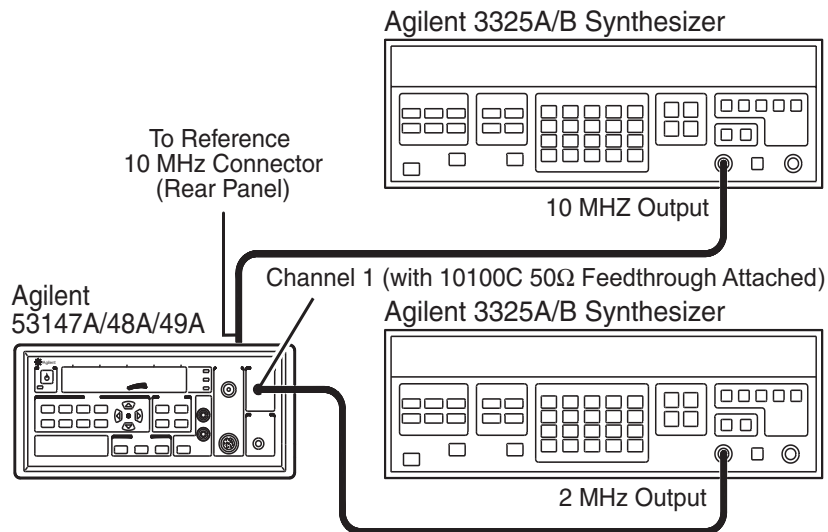


Figure 1-1. External Timebase Test Setup

- 4 Cycle the **POWER** button to preset the instrument.
- 5 Press the **Shift** key on the instrument's front panel.
- 6 Press the **Menu** key on the instrument's front panel.
- 7 If necessary, use the up- and down-arrow keys to cycle the display until it reads REF OSC> INT.
- 8 Press the right-arrow key once. INT begins to flash off and on.
- 9 Press the up- or down-arrow key once. INT changes to EXT.
- 10 Press the **Enter** key.
- 11 Press the **Chan Select** key once to select the **CHANNEL 1** input connector.

Operational Verification

- 12 Set the frequency of the first Synthesizer (connected to the instrument's rear-panel **Reference 10MHz** connector) to 10 MHz at 1 V rms.
- 13 Set the frequency of the second Synthesizer (connected to the instrument's **Channel 1** input connector) to 2 MHz at 100 mV rms.
- 14 Press and release the instrument's **Reset/Local** key.
- 15 Verify that the Counter displays a reading of approximately 2 MHz and that the **Ext Ref** annunciator is activated.
- 16 Mark Pass or Fail for Test 4 in the Performance Test Record on page 1-39.
- 17 Disconnect the test setup.

Power Meter Test

This test verifies the accuracy of the Power Meter.

Equipment Required

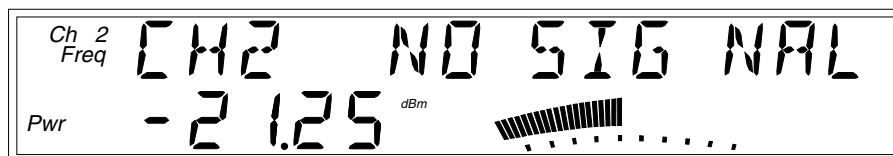
Agilent 11730A Power Sensor Cable (supplied with instrument)
Agilent 8481A, 8481D, 8482A, 8485A, or 8487A Power Sensor Head

NOTES

- To ensure that the test results are valid, the instrument and the test equipment should be powered on for at least 30 minutes prior to beginning the tests. This allows the internal temperatures of the equipment to stabilize.
- These tests are appropriate for the Agilent 53147A, 53148A, and 53149A.

-
- 1 Connect one end of the Agilent 11730A cable (supplied with instrument) to the Power Meter INPUT connector on the front panel of the Agilent 53147A, 53148A, or 53149A.
 - 2 Connect the other end of the Agilent 11730A cable to a power sensor head.
 - 3 Press the **Display Power** key in the Power Meter area of the front panel.

The display should look like this (the reading will vary):



- 4 If the power sensor head you are using is an Agilent 8481A, 8481D, 8482A, 8485A, or 8487A, select the power sensor head model in the HEAD menu. If you are not using one of the power sensor heads listed above, press the **Cal Factor** key, and enter the calibration factor for the head.

Operational Verification

- 5 Press the **Zero** key.

The display shows ZEROING for several seconds.

- 6 Connect the power sensor head to the Power Meter OUTPUT connector.

- 7 Press the **Cal** key.

The display briefly shows CALIBRATING.

- 8 Turn on the power reference output in the instrument's menu (PWR REF > ON).

- 9 Verify that the Counter displays a reading of 0 dBm \pm .02 dB.

- 10 Mark Pass or Fail for Test 5 in the Performance Test Record on page 1-39.

- 11 Disconnect the test setup.

DVM Test

This test verifies the accuracy of the DVM.

Equipment Required

Agilent 34401A Digital Multimeter
Agilent E3640A DC Power Supply

NOTES

- To ensure that the test results are valid, the instrument and the test equipment should be powered on for at least 30 minutes prior to beginning the tests. This allows the internal temperatures of the equipment to stabilize.
 - These tests are appropriate for the Agilent 53147A, 53148A, and 53149A.
- 1 Set the output of the E3640A DC Power Supply to +25 VDC.
 - 2 Set the Agilent 34401A Digital Multimeter to the lowest DC voltage range capable of safely measuring 25 VDC.
 - 3 Connect the test leads to the Multimeter (observe correct polarity).
 - 4 Connect the test prods to the output terminals on the Agilent E3640A DC Power Supply (observe correct polarity).

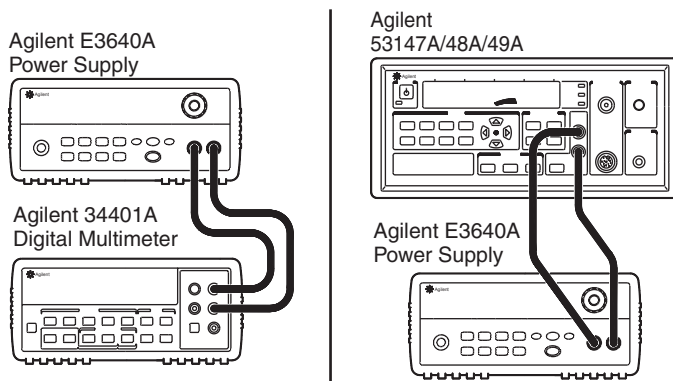


Figure 1-2. DVM Test Setup

Operational Verification

- 5 Observe and record the voltage reading on the Agilent 34401A Multimeter.
- 6 Disconnect the test leads from the Agilent E3640A DC Power Supply. Be careful not to disturb the voltage setting.
- 7 Connect the test leads to the Agilent 53147A/48A/49A (be sure to observe the correct polarity).
- 8 Press the **Display DVM** key on the Agilent 53147A/48A/49A front panel.
- 9 Connect the test prods to the output terminals on the Agilent E3640A DC Power Supply (be sure to observe the correct polarity).
- 10 Observe and record the voltage reading on the Agilent 53147A/48A/49A.
- 11 Compare the voltage readings you recorded in steps 5 and 10. If the reading taken with the Agilent 53147A/48A/49A is within $\pm 0.25\% \pm 10$ mV of the reading taken with the Agilent 34401A, mark Pass for Test 6 in the Performance Test Record on page 1-39. If the reading taken with the Agilent 53147A/48A/49A is not within $\pm 0.25\% \pm 10$ mV of the reading taken with the Agilent 34401A, mark Fail for Test 6 in the Performance Test Record on page 1-39.

This completes the Operational Verification.

Complete Performance Tests

The Complete Performance Tests verify the specifications of the Agilent 53147A/148A/149A listed in Chapter 6, “Specifications.” All of these tests can be performed without opening the instrument. Table 1-2 lists a summary of the performance tests.

Record the results of the performance tests in the appropriate place on the Performance Test Record, which starts on page 1-39.

NOTE

To ensure that the test results are valid, the instrument and the test equipment should be powered on for at least 30 minutes prior to beginning the tests. This allows the internal temperatures of the equipment and the timebase to stabilize.

Table 1-2. Complete Performance Tests

Page Number	Test Description
Page 1-18	Test 1: Channel 1 Frequency Sensitivity
Page 1-23	Test 2: Channel 2 Frequency Sensitivity
Page 1-27	Test 3: Power Measurement
Page 1-30	Test 4: Power Reference Oscillator Frequency
Page 1-32	Test 5: Power Meter Reference Level

NOTE

Other instrument measurement functions (e.g., Averaging) are mathematically derived by the microprocessor from the parameters verified by these performance tests. If the instrument passes the performance tests, the other measurement functions are also functioning to specifications.

Test 1: Channel 1 Frequency Sensitivity

This set of tests verifies the frequency-sensitivity specifications of Channel 1 of the Agilent 53147A/148A/149A's Frequency Counter.

Equipment Required

Agilent 3325A/B Synthesizer
Agilent 83650B Synthesizer
Agilent 437B Power Meter
Agilent 8487A/D Power Sensor
Agilent 11730A Power Sensor Cable (provided with 53147A/148A/149A)
Agilent 11667C Power Splitter
Agilent 8490D (Opt. 020) 20 dB Attenuator
Agilent 1250-2015 BNC (m) to SMA (f) Adapter
Agilent 11904A 2.92 mm (m) to 2.4 mm (m) Adapter
Agilent 10100C 50 Ω Feedthrough Terminator
Agilent 10503 Series Coaxial Cable (BNC m to m)
2 mm (m) to 2 mm (f) Cable (2)

Test 1a: 10 Hz to 20 MHz Frequency Sensitivity

NOTES

- To ensure that the test results are valid, the instrument and the test equipment should be powered on for at least 30 minutes prior to beginning the tests. This allows the internal temperatures of the equipment to stabilize.
- These tests are appropriate for the Agilent 53147A, 53148A, and 53149A.
- If the Agilent 3325A/B Synthesizer or the Agilent 83650B Synthesizer reference output is not adequate to drive the 53147A/48A/49A, connect the cable from the Synthesizer to the **Reference 10 MHz** connector on the back of the 53147A/48A/49A, and set the 53147A/48A/49A to use the internal oscillator.

Test 1: Channel 1 Frequency Sensitivity

- 1 Connect an Agilent 10503 Series Coaxial Cable between the reference output connector on the Agilent 3325A/B Synthesizer and the instrument's **Reference 10MHz** connector.
- 2 Connect an Agilent 10100C 50Ω Feedthrough Terminator to the Counter's **CHANNEL 1** connector.
- 3 Connect an Agilent 10503 Series Coaxial Cable between the RF output connector on the Agilent 3325A/B Synthesizer and the 50Ω feedthrough terminator on the Counter's **CHANNEL 1** connector.

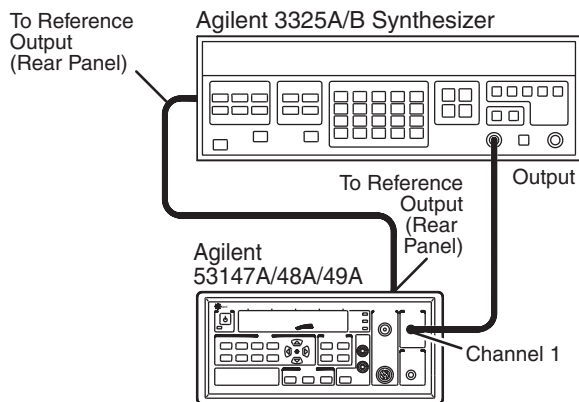


Figure 1-3. 10 Hz to 20 MHz Frequency Sensitivity Test Setup

- 4 Verify that the Counter is still set to use an external reference signal (refer to steps 5 through 10 on page 1-11).
- 5 Set the output of the Synthesizer to the first frequency specified for Test 1a in the Performance Test Record on page 1-39 (10 Hz).
- 6 Set the power output of the Synthesizer to the first power value specified for Test 1a in the Performance Test Record on page 1-39 (-14.9 dBm/40 mV).
- 7 Record the frequency value read on the Counter (± 1 count) for Test 1a in the Performance Test Record on page 1-39.

Test 1: Channel 1 Frequency Sensitivity

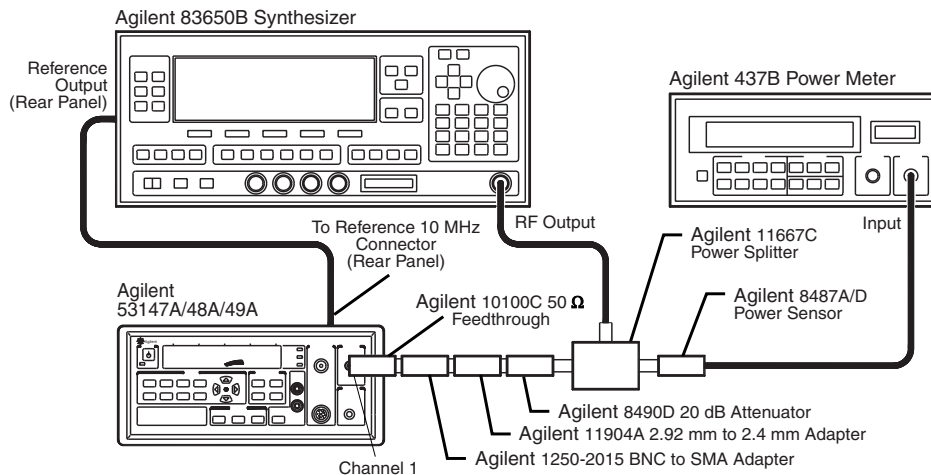
- 8 Repeat steps 5, 6, and 7 for each of the remaining frequencies specified for Test 1a. Don't forget to change the power level when performing the 1 KHz test (-19.2 dBm/25 mV).
- 9 If all of the frequency values you recorded for Test 1a are correct, mark Pass in the Performance Test Record for Test 1a. If any of the frequency readings you recorded are incorrect, mark Fail in the Performance Test Record.

NOTES

- Do not disconnect the cable from the instrument's **Reference 10MHz** connector. This connection is used in the following test.
- Do not turn off the instrument. Turning the instrument off and back on resets the reference oscillator (REF OSC) selection to internal (INT) and the channel selection to **CHANNEL 2**.

Test 1b: 50 MHz to 125 MHz Frequency Sensitivity

- 1 Connect an Agilent 10100C 50 Ω Feedthrough Terminator to the **CHANNEL 1** input connector on the instrument's front panel (refer to Figure 1-4 for steps 1 through 9).

**Figure 1-4. 50 MHz to 125 MHz Frequency Sensitivity Test Setup**

Test 1: Channel 1 Frequency Sensitivity

- 2 Connect the Agilent 1250-2015 BNC (m) to SMA (f) Adapter to the Agilent 10100C Feedthrough Terminator on the Counter's **CHANNEL 1** connector.
- 3 Connect the Agilent 11904A 2.92 mm (m) to 2.4 mm (m) Adapter to the Agilent 1250-2015 Adapter.
- 4 Connect the Agilent 8490D 20 dB Attenuator to the Agilent 11904A Adapter.
- 5 Connect one of the output connectors on the Agilent 11667C Power Splitter to the Agilent 8490D Attenuator
- 6 Connect the Agilent 11900B 2.4 mm (f) to 2.4 mm (f) Adapter to the RF output of the Synthesizer.
- 7 Connect a 2.4 mm (m) to 2.4 mm (m) cable between the Adapter on the Synthesizer's RF output connector and the input connector on the Agilent 11667C Power Splitter.
- 8 Connect the Agilent 8487A/D Power Sensor to the remaining output connector on the Agilent 11667C Power Splitter.
- 9 Connect the Agilent 11730A Power Sensor Cable between the Power Sensor and the sensor connector on the Agilent 437B Power Meter.
- 10 Verify that the Counter is still set to use an external reference signal (refer to steps 5 through 10 on page 1-11).
- 11 Set the output of the Agilent 83650B Synthesizer to the first frequency specified for Test 1b in the Performance Test Record on page 1-39 (50 MHz).
- 12 Set the power output of the Synthesizer (read on the Power Meter) to a power value 20 dBm above the value specified for Test 1b in the Performance Test Record on page 1-39 (+.8 dBm). (The added 20 dBm compensates for the 20 dB Attenuator.)

Test 1: Channel 1 Frequency Sensitivity

- 13 Record the frequency value read on the Counter (± 1 count) for Test 1b in the Performance Test Record on page 1-39.
- 14 Set the output of the Synthesizer to 125 MHz, and repeat steps 11 through 13.
- 15 If both of the frequency values you recorded for Test 1b are correct, mark Pass in the Performance Test Record for Test 1b. If either of the frequency readings you recorded are incorrect, mark Fail in the Performance Test Record.
- 16 Disconnect the Agilent 10100C Feedthrough Terminator, the Agilent 1250-2015 Adapter, and the Agilent 11904A Adapter from the Counter's **CHANNEL 1** connector.

NOTES

- Do not disconnect the rest of the test setup, as these connections are also used in the Channel 2 Frequency Sensitivity test.
- Do not turn off the instrument. Turning the instrument off and back on resets the reference oscillator (REF OSC) selection to internal (INT).

Test 2: Channel 2 Frequency Sensitivity

This set of tests verifies the frequency-sensitivity specifications of Channel 2 of the Agilent 53147A/148A/149A's Frequency Counter.

Equipment Required

Agilent 83650B Synthesizer
Agilent 437B Power Meter
Agilent 8487A/D Power Sensor
Agilent 11667C Power Splitter
Agilent 11730A Power Sensor Cable (provided with 53147A/148A/149A)
Agilent 8490D (Opt. 020) 20 dB Attenuator
Agilent 11904D 2.92 mm (m) to 2.4 mm (f) Adapter
Agilent 10503 series Coaxial Cable (BNC m to m)
2.4 mm (m) to 2.4 mm (m) Cable (2)

Test 2a: 50 MHz to 20 GHz Frequency Sensitivity

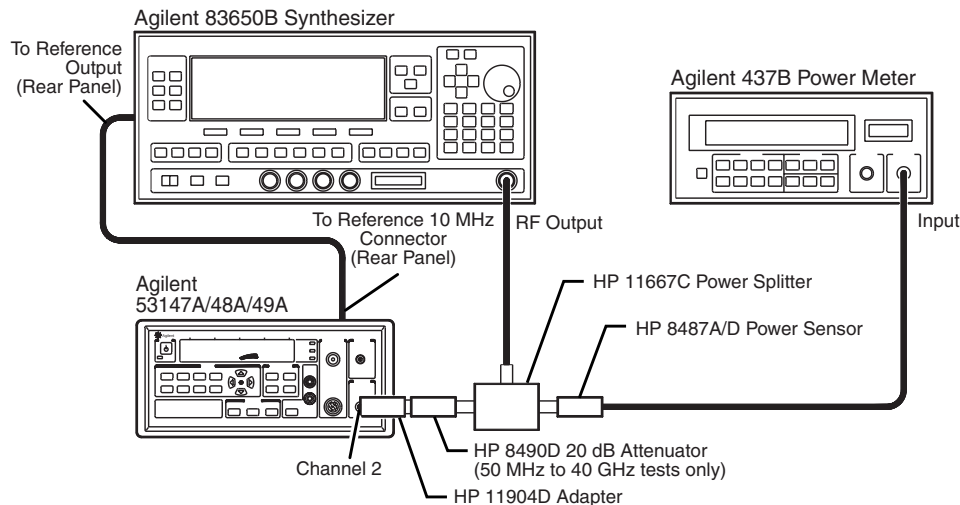
NOTES

- To ensure that the test results are valid, the instrument and the test equipment should be powered on for at least 30 minutes prior to beginning the tests. This allows the internal temperatures of the equipment to stabilize.
- This test is appropriate for the Agilent 53147A, 53148A, and 53149A.

-
- 1** Connect the Agilent 11904D 2.92 mm (m) to 2.4 mm (f) Adapter to the Counter's **CHANNEL 2** input connector (refer to Figure 1-5 for steps 1 through 4).
 - 2** Connect the Agilent 8490D Attenuator to the Agilent 11904D Adapter, as shown in Figure 1-5 (the other end of the Attenuator should remain connected to the Agilent 11667C Power Splitter).
 - 3** Verify that the cable (with Adapter) is still connected between the RF output of the Agilent 83650B Synthesizer and the Power Splitter input connector.

Test 2: Channel 2 Frequency Sensitivity

- 4 Verify that the Power Sensor is still connected to the Power Splitter and that the Power Sensor Cable is still connected between the Power Sensor and the sensor connector on the Power Meter.

**Figure 1-5. 50 MHz to 20 GHz Frequency Sensitivity Test Setup**

- 5 Verify that the instrument is still set to use an external reference signal (refer to steps 5 through 10 on page 1-11).
- 6 Set the output of the Agilent 83650B Synthesizer to the first frequency specified for Test 2a in the Performance Test Record on page 1-40 (50 MHz).
- 7 Set the power output of the Synthesizer (read on the Power Meter) to a power value 20 dBm above the value specified for Test 2a in the Performance Test Record on page 1-40 (0 dBm). (The added 20 dBm compensates for the 20 dB Attenuator.)
- 8 Record the frequency value read on the Counter (± 1 count) for Test 2a in the Performance Test Record on page 1-40.

Test 2: Channel 2 Frequency Sensitivity

- 9 Repeat steps 6, through 8 for each of the remaining frequencies specified for Test 2a. Don't forget to change the power level when performing the 300 MHz and 19 GHz tests (53147A, 53148A, and 53149A) and the 16 GHz and 19 GHz tests (53149A only).

NOTE

It may be necessary to repeat Step 5.

- 10 If all of the frequency values you recorded for Test 2a are correct, mark Pass in the Performance Test Record. If any of the frequency readings you recorded are incorrect, mark Fail in the Performance Test Record.

Test 2b: 22 GHz to 26.5 GHz Frequency Sensitivity

NOTE

This test is appropriate for the Agilent 53148A and 53149A.

- 1 Use the same test setup as described for Test 2a on page 1-23.
- 2 Set the output of the Agilent 83650B Synthesizer to the first frequency specified for Test 2b in the Performance Test Record on page 1-40 (22 GHz).
- 3 Set the power output of the Synthesizer (read on the Power Meter) to a power value 20 dBm above the value specified for Test 2b in the Performance Test Record on page 1-40 (-5 dBm for the Agilent 53148A; -7 dBm for the Agilent 53149A). (The added 20 dBm compensates for the 20 dB Attenuator.)
- 4 Record the frequency value read on the Counter (± 1 count) for Test 2b in the Performance Test Record on page 1-40.
- 5 Repeat steps 2, through 4 for each of the remaining frequencies specified for Test 2b.
- 6 If all of the frequency values you recorded for Test 2b are correct, mark Pass in the Performance Test Record for Test 2b. If any of the frequency readings you recorded are incorrect, mark Fail in the Performance Test Record.

Test 2: Channel 2 Frequency Sensitivity

Test 2c: 30 GHz to 46 GHz Frequency Sensitivity

NOTE

This test is appropriate for the 53149A only.

- 1 Use the same test setup as described for Test 2a on page 1-23.
- 2 Set the output of the Agilent 83650B Synthesizer to the first frequency specified for Test 2c in the Performance Test Record on page 1-40 (30 GHz).
- 3 Set the power output of the Synthesizer (read on the Power Meter) to a power value 20 dBm above the value specified for Test 2c in the Performance Test Record on page 1-40 (-3 dBm). (The added 20 dBm compensates for the 20 dB Attenuator.)
- 4 Record the frequency value read on the Counter (± 1 count) for Test 2c in the Performance Test Record on page 1-40.
- 5 Repeat steps 2, through 4 for each of the remaining frequencies specified for Test 2c. Don't forget to change the power level for the 42, 44, and 46 GHz tests.
- 6 If all of the frequency values you recorded for Test 2c are correct, mark Pass in the Performance Test Record for Test 2c. If any of the frequency readings you recorded are incorrect, mark Fail in the Performance Test Record.

NOTES

- Do not disconnect the Power Sensor or the Power Sensor Cable from the power meter or the Power Splitter. These connections are reused in the following tests.
- Do not turn off the instrument. Turning the instrument off and back on resets the reference oscillator (REF OSC) selection to internal (INT).

Test 3: Power Measurement

This set of tests verifies the power-measurement specifications of Agilent 53147A/148A/149A's Power Meter.

Equipment Required

Agilent 11683A Range Calibrator

Agilent 11730A Power Sensor Cable (provided with 53147A/148A/149A)

Power Measurement Accuracy Test

NOTES

- To ensure that the test results are valid, the instrument and the test equipment should be powered on for at least 30 minutes prior to beginning the tests. This allows the internal temperatures of the equipment to stabilize.
 - These tests are appropriate for the Agilent 53147A, 53148A, and 53149A.
- 1 Connect the Agilent 11730A Power Sensor Cable between Agilent 11683A Range Calibrator's output connector and the Agilent 53147A, 53148A, or 53149A's Power Meter INPUT connector.

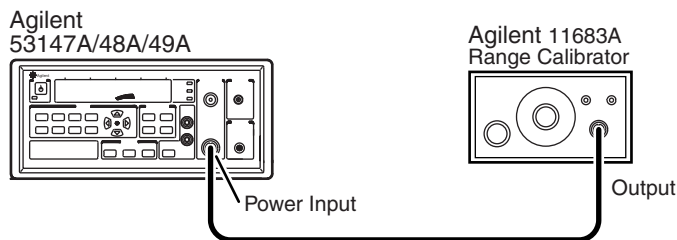


Figure 1-6. Power Measurement Accuracy Test Setup

- 2 Press the **Reset/Local** key on the Agilent 53147A, 53148A, or 53149A.

Test 3: Power Measurement

- 3 Press the **Shift + dBm/W** key on the Agilent 53147A, 53148A, or 53149A to set the Power Meter to display readings in Watts, mW, and/or μW .
- 4 Set the Range Calibrator switches as follows:

FUNCTION:	STANDBY
POLARITY:	NORMAL
RANGE:	1 mW
LINE:	ON
- 5 Press the **Zero** key on the Agilent 53147A, 53148A, or 53149A. When the reading appears, verify that it is $0.00 \pm 0.06 \mu\text{W}$.
- 6 Change the Range Calibrator's **FUNCTION** switch to CALIBRATE.
- 7 Press the **Cal** key on the Agilent 53147A, 53148A, or 53149A. Wait for the Power Meter to complete calibration.
- 8 Verify that the Agilent 53147A, 53148A, or 53149A display reads $1.000 \pm 0.006 \text{ mW}$.

NOTE

The Range Calibrator output level is adjustable in 5 dB increments. Thus, the 3 μW , 30 μW , 300 μW , 3 mW, and 30 mW legends on the **RANGE** switch are approximations. The true values for these settings are 3.16 μW , 31.6 μW , 316 μW , 3.16 mW, and 31.6 mW.

- 9 Set the Range Calibrator **RANGE** switch to each of the positions shown in Table 1-3. For each setting, verify that the Agilent 53147A, 53148A, or 53149A autoranges properly and that the reading displayed is within the limits shown in the table.

NOTES

- The lower the setting of the **RANGE** switch, the longer it takes for the reading to stabilize.
- You may have to repeat Step 5 (re-zero the instrument) for each measurement.

Test 3: Power Measurement**Table 1-3. Range Calibrator Settings and Expected Results**

Range Calibrator	Agilent 53147A/48A/49A		
	Minimum	Actual	Maximum
3 μ W	3.10 μ W		3.23 μ W
10 μ W	9.90 μ W		10.10 μ W
30 μ W	31.4 μ W		31.8 μ W
100 μ W	99.5 μ W		100.5 μ W
300 μ W	0.314 mW		0.318 mW
1 mW	0.995 mW		1.005 mW
3 mW	3.14 mW		3.18 mW
10 mW	9.95 mW		10.05 mW
30 mW	31.4 mW		31.8 mW
100 mW	99.5 mW		100.5 mW

- 10 Record the actual power readings in the Performance Test Record on page 1-41.
- 11 Press the **Shift + dBm/W** key on the Agilent 53147A, 53148A, or 53149A again to set the Power Meter to display readings in dBm.
- 12 Verify that the annunciator changes to dBm and that the indication is within 20.00 ± 0.04 dBm with the Range Calibrator's **RANGE** switch in the 100 mw / 20 dBm position.
- 13 Record the actual power reading in the Performance Test Record.
- 14 Set the Range Calibrator's **RANGE** switch to -10 dBm.
- 15 Verify that the Power Meter displays a reading of -10.00 ± 0.04 dBm.
- 16 Record the actual power reading in the Performance Test Record.
- 17 Review all of the results for Test 3, and mark Pass or Fail for Test 3 in the Performance Test Record.

Test 4: Power Reference Oscillator Frequency

The internal power reference oscillator is used to calibrate the Power Meter to the power sensor head. This test verifies that the frequency output of the power reference oscillator is 50.0 MHz \pm 0.5 MHz.

Equipment Required

Agilent 53150A Microwave Frequency Counter
Agilent 10503 Series Coaxial Cables (BNC m to m)
Agilent 1250-1535 BNC (f) to Type N (m) Adapter

Power Reference Oscillator Frequency Test

NOTES

- The instrument and the test equipment must be powered on for at least 30 minutes prior to measuring the power reference oscillator output. This allows the internal temperatures of the equipment to stabilize.
- This procedure specifies the Agilent 53150A for measuring the frequency output of the 53147A/48A/49A's power reference oscillator. If the 53147A/48A/49A's Frequency Counter is known to be in calibration (see "Test 1: Channel 1 Frequency Sensitivity" on page 1-18), you can use it in place of the 53150A in this procedure.

-
- 1 Connect an Agilent E9635A adapter to the Agilent 53147A/48A/49A's Power Meter OUTPUT connector as shown in Figure 1-7.
 - 2 Connect an Agilent 10503 series cable between the Agilent E9635A adapter on the Agilent 53147A/48A/49A's Power Meter OUTPUT connector and the CHANNEL 1 input connector on the Agilent 53150A/51A/52A Frequency Counter.

Test 4: Power Reference Oscillator Frequency

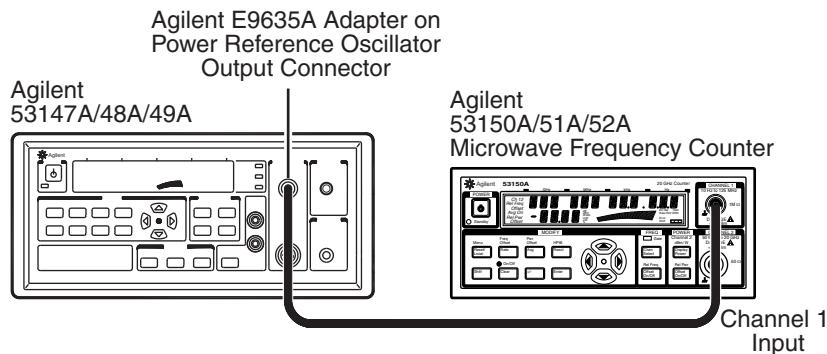


Figure 1-7. Reference Oscillator Frequency Adjustment Setup

- 3 Set the Agilent 53150A/51A/52A Frequency Counter to measure frequency on Channel 1.
- 4 Turn on the Agilent 53147A/48A/49A's internal power reference oscillator:

Press **Shift + Menu**, use the up and/or down arrow keys to cycle through the menu to PWR REF, press the right-arrow key, then use the up or down arrow key to change the setting to ON, and press the **Enter** key. The Pwr Ref annunciator should now be activated.

NOTE

The reference oscillator is normally off. It is turned on automatically during calibration and then turned back off when calibration is complete. Setting PWR REF in the 53147A/148A/149A's menu to ON turns the power reference oscillator on, and it remains on until the PWR REF menu setting is returned to OFF. When you calibrate the Power Meter with PWR REF set to ON, the power reference oscillator remains on after calibration is complete.

- 5 Record the power reading shown on the Agilent 53150A/51A/52A for Test 4 in the Performance Test Record on page 1-41.
- 6 Mark Pass or Fail for Test 4 in the Performance Test Record.

Test 5: Power Meter Reference Level

Two methods for verifying the level of the Power Meter reference signal are provided in this section. Both methods provide acceptable results, and either one can be used.

Power Meter Reference Level: Method 1

Equipment Required

Agilent E4418B Power Meter

Agilent 8481A Power Sensor

Agilent 11730A Power Sensor Cable (supplied with 53147A/48A/49A)

NOTES

- To ensure that the test results are valid, the Agilent 53147A/48A/49A and the test equipment should be powered on for at least 30 minutes prior to beginning the tests. This allows the internal temperatures of the equipment to stabilize.
- The calibration of the Agilent E4418B Power Meter must be no more than one level removed from NIST (National Institute of Standards and Technology). If the E4418B Power Meter's calibration is more than one level removed from NIST, the test results will be invalid.
- This test is appropriate for the Agilent 53147A, 53148A, and 53149A.

- 1 Connect the Agilent 11730A Power Sensor Cable to the Agilent 8481A Power Sensor (see Figure 1-8).

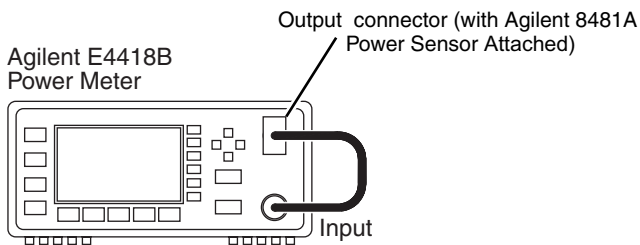


Figure 1-8. E4418B Power Meter Zeroing and Calibration Test Setup

Test 5: Power Meter Reference Level

- 2 Connect the free end of the Agilent 11730A Power Sensor Cable to the input connector on the Agilent E4418B Power Meter.
- 3 Connect the Agilent 8481A Power Sensor to the power reference output connector of the Agilent E4418B Power Meter.
- 4 Zero the E4418B Power Meter.
- 5 Calibrate the E4418B Power Meter.
- 6 Disconnect the Agilent 8481A Power Sensor from the Agilent E4418B Power Meter, and immediately connect it to the Power OUTPUT connector on the Agilent 53147A/48A/49A (see Figure 1-9).

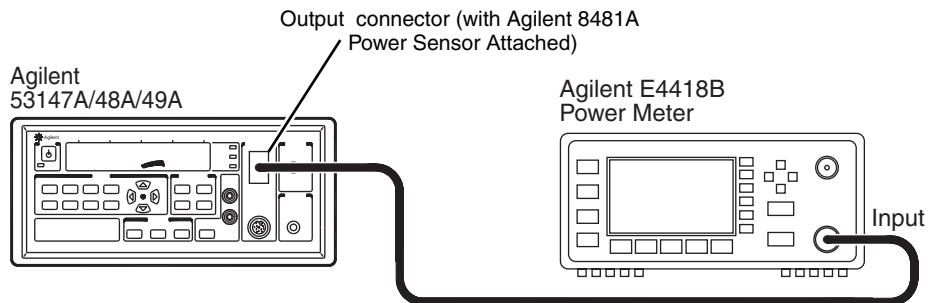


Figure 1-9. Power Meter Reference Level Test Setup

- 7 Record the power reading shown on the Agilent E4418B Power Meter for Test 5 in the Performance Test Record on page 1-41.
- 8 Mark Pass or Fail for Test 5 in the Performance Test Record.

Power Meter Reference Level: Method 2

Equipment Required

Agilent 432A Power Meter

Agilent 478A-H75 or 478A-H76 Thermistor Mount

Agilent 34401A Digital Multimeter

Agilent 8120-1082 Power Sensor Cable

NOTES

- To ensure that the test results are valid, the instrument and the test equipment should be powered on for at least 30 minutes prior to beginning the tests. This allows the internal temperatures of the equipment to stabilize.

- This test is appropriate for the Agilent 53147A, 53148A, and 53149A.

- 1 Turn the Agilent 432A Power Meter off. Do not turn it on until instructed to do so.
- 2 Set the Agilent 34401A Digital Multimeter to measure resistance, and connect the DVM test prods between the center pin of the V_{RF} connector on the Agilent 432A Power Meter rear panel and pin 1 on the thermistor-mount end of the Agilent 8120-1082 Power Sensor Cable (see Figure 1-10 to locate pin 1).

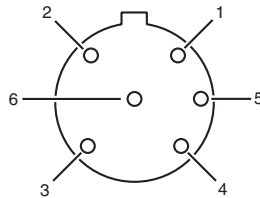


Figure 1-10. Agilent 8120-1082 Power Sensor Cable End View

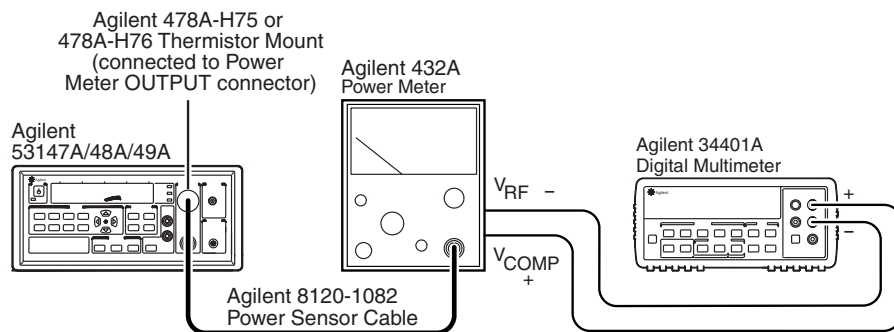
- 3 Round off the resistance reading to two decimal places and keep a record of this value as R. It is the internal bridge resistance (R) of the Agilent 432A Power Meter (this should be approximately 200.3 ohms).

Test 5: Power Meter Reference Level

- 4 Connect the Agilent 478A-H75 or 478A-H76 Thermistor Mount to the Agilent 53147A/148A/149A Power Meter OUTPUT connector, as shown in Figure 1-11.

NOTE

Do not use a cable between the Thermistor Mount and the 53147A/148A/149A Power Meter OUTPUT connector. Connect the Thermistor Mount directly to the OUTPUT connector.

**Figure 1-11. Power Meter Reference Level Test Setup**

- 5 Connect the Agilent 8120-1082 Power Sensor Cable between the Thermistor Mount and the input connector on the Agilent 432A Power Meter.
- 6 Turn on the 432A Power Meter. Wait 30 minutes for the Power Meter and the Thermistor Mount to stabilize before proceeding to the next step.
- 7 Set the 432A Power Meter's **RANGE** switch to Coarse Zero.
- 8 Adjust the **COARSE ZERO** control on the 432A Power Meter's front panel to obtain a zero reading on the meter.
- 9 Set the 432A Power Meter's **RANGE** switch to .01 mW / -20 dBm.
- 10 Press the **FINE ZERO** switch on the 432A Power Meter's front panel down to obtain a zero reading on the meter.
- 11 Set the 432A Power Meter's **RANGE** switch to 1 mW.

Test 5: Power Meter Reference Level

- 12 Set the Digital Multimeter to measure microvolts.

CAUTION

Ensure that the Agilent 34401A Digital Multimeter's input leads are isolated from chassis ground before performing the next step.

- 13 Connect the positive test prod from the Agilent 34401A Multimeter to the V_{COMP} connector on the Agilent 432A Power Meter rear panel.

NOTE

The V_{COMP} and V_{RF} connectors are BNC female. You can use two BNC-to-banana jack adapters and two BNC cables to make it easier to connect the Multimeter to the Power Meter.

- 14 Connect the negative test prod from the Agilent 34401A Digital Multimeter to the V_{RF} connector on the 432A Power Meter's rear panel.

- 15 If the reading on the Multimeter is less than 400 microvolts, proceed to step 16. If the reading is 400 microvolts or more, press the **FINE ZERO** toggle switch on the 432A Power Meter's front panel down.

- 16 Observe the reading on the Multimeter, round off the reading to the nearest microvolt, and keep a record of this value as V_0 .

- 17 Turn on the Agilent 53147A/148A/149A's internal power reference oscillator:

Press **Shift + Menu**, use the up and/or down arrow keys to cycle through the menu to PWR REF, press the right-arrow key, then use the up or down arrow key to change the setting to ON, and press the **Enter** key. The Pwr Ref annunciator should now be activated.

NOTE

The reference oscillator is normally off. It is turned on automatically during calibration and then turned back off when calibration is complete. When PWR REF in the 53147A/148A/149A's menu is set to ON, the power reference oscillator is turned on, and it is left on after calibration.

- 18 Observe the reading on the Multimeter, and keep a record of this value as V_1 .

Test 5: Power Meter Reference Level

- 19 Disconnect the Multimeter's negative test lead from the 432A Power Meter's V_{RF} connector, and connect it to the 432A Power Meter's chassis ground.
- 20 Observe the reading on the Multimeter, and keep a record of this value as V_{COMP} .
- 21 Calculate the output level of the 53147A/148A/149A's power reference oscillator (P_{rf}) using the following formula:

$$P_{rf} = \frac{2 V_{comp} (V_1 - V_0) + V_0^2 - V_1^2}{4R \text{ (Calibration Factor)}}$$

Where:

- P_{rf} = Power reference oscillator output level
- V_{comp} = previously recorded value
- V_1 = previously recorded value
- V_0 = previously recorded value
- R = previously recorded value
- CalibrationFactor = value for thermistor mount at 50 MHz (traceable to NIST)

Test 5: Power Meter Reference Level**NOTE**

The following is an example showing how a calculation of the Power Reference Output Level is performed:

$$\begin{aligned}
 R &= 200 \Omega \\
 V_0 &= 170 \mu V \text{ or } 170 \times 10^{-6} V \\
 V_1 &= 78,107 \mu V \text{ or } 78,107 \times 10^{-6} \text{ or } .078 V \\
 V_{comp} &= 5.1583 V \\
 R &= \text{previously recorded value} \\
 \text{Calibration Factor} &= 99.68\%
 \end{aligned}$$

$$P_{rf} = \frac{2 V_{comp} (V_1 - V_0) + V_0^2 - V_1^2}{4R (\text{Calibration Factor})}$$

Note that V_0 is eventually dropped out of the equation in the following steps, because its value is very small (effectively zero).

$$\begin{aligned}
 P_{rf} &= \frac{2 (5.1583) (.078 - 0)^2 + (.000170)^2 - (0.78)}{4(200) (99.68\%)} \\
 &= \frac{0.80469 - 0.00608}{797.44} = \frac{0.79861}{797.44} \\
 &= 1.00147 \text{ mW}
 \end{aligned}$$

-
- 22** Verify that P_{rf} is between 0.988 mW and 1.012 mW.
 - 23** Record the value for P_{rf} in the Performance Test Record on page 1-41.
 - 24** Mark Pass or Fail for Test 5 in the Performance Test Record.

Performance Test Record (Page 1 of 3)

Agilent 53147A/148A/149A Frequency Counter/Power Meter/DVM

Serial Number: _____ Repair/Work Order No. _____

Test Performed By: _____ Temperature: _____

Date: _____ Relative Humidity: _____

Notes: _____

Pre Calibration Test Post Calibration Test

Test Number	Operational Verification	Specifications	Test Results	
			Pass	Fail
1	Power on Self Tests	N/A	<input type="checkbox"/>	<input type="checkbox"/>
2	10 MHz Test	10,000,000 Hz	<input type="checkbox"/>	<input type="checkbox"/>
3	Run Self Test	N/A	<input type="checkbox"/>	<input type="checkbox"/>
4	10 MHz External Timebase Input Test	2 MHz	<input type="checkbox"/>	<input type="checkbox"/>
5	Power Meter Test	0 dBm ±.02 dB	<input type="checkbox"/>	<input type="checkbox"/>
6	DVM Test	+25 Vdc ±0.25% ±10 mV (+24.365 Vdc to +25.635 Vdc)	<input type="checkbox"/>	<input type="checkbox"/>
Test Number	Complete Performance Tests	Specifications	Pass	Fail
1a	Channel 1 Frequency Sensitivity		<input type="checkbox"/>	<input type="checkbox"/>
	10 Hz	10 Hz @ 40 mV rms (-14.9 dBm)	_____	_____
	30 Hz	30 Hz @ 40 mV rms (-14.9 dBm)	_____	_____
	1 kHz	1 kHz @ 25 mV rms (-19.2 dBm)	_____	_____
	500 kHz	500 kHz @ 25 mV rms (-19.2 dBm)	_____	_____
	5 MHz	5 MHz @ 25 mV rms (-19.2 dBm)	_____	_____
	10 MHz	10 MHz @ 25 mV rms (-19.2 dBm)	_____	_____
20 MHz	20 MHz @ 25 mV rms (-19.2 dBm)	_____	_____	
1b	Channel 1 Frequency Sensitivity		<input type="checkbox"/>	<input type="checkbox"/>
	50 MHz	50 MHz @ 25 mV rms (-19.2 dBm)	_____	_____
	125 MHz	125 MHz @ 25 mV rms (-19.2 dBm)	_____	_____

Performance Test Record (Page 2 of 3)

Test Number	Complete Performance Tests	Specifications			Test Results	
		53147A	53148A	53149A	Pass	Fail
2a	Channel 2 Frequency Sensitivity	53147A	53148A	53149A	<input type="checkbox"/>	<input type="checkbox"/>
	50 MHz	-20 dBm	-20 dBm	-20 dBm	_____	_____
	100 MHz	"	"	"	_____	_____
	250 MHz	"	"	"	_____	_____
	300 MHz	-33 dBm	-33 dBm	-33 dBm	_____	_____
	500 MHz	"	"	"	_____	_____
	1 GHz	"	"	"	_____	_____
	2.5 GHz	"	"	"	_____	_____
	5 GHz	"	"	"	_____	_____
	10 GHz	"	"	"	_____	_____
	12.4 GHz	"	"	"	_____	_____
	16 GHz	"	"	-30 dBm	_____	_____
	18 GHz	"	"	"	_____	_____
19 GHz	-29 dBm	-29 dBm	-27 dBm	_____	_____	
20 GHz	"	"	"	_____	_____	
2b	Channel 2 Frequency Sensitivity	53147A	53148A	53149A	<input type="checkbox"/>	<input type="checkbox"/>
	22 GHz	N/A	-25 dBm	-27 dBm	_____	_____
	24 GHz	N/A	"	"	_____	_____
	26.5 GHz	N/A	"	"	_____	_____
2c	Channel 2 Frequency Sensitivity	53147A	53148A	53149A	<input type="checkbox"/>	<input type="checkbox"/>
	30 GHz	N/A	N/A	-23 dBm	_____	_____
	34 GHz	N/A	N/A	"	_____	_____
	40 GHz	N/A	N/A	"	_____	_____
	42 GHz	N/A	N/A	-17 dBm	_____	_____
	44 GHz	N/A	N/A	"	_____	_____
	46 GHz	N/A	N/A	"	_____	_____

Performance Test Record (Page 3 of 3)

Test Number	Complete Performance Tests	Specifications	Test Results	
			Pass	Fail
3	Power Measurement:		<input type="checkbox"/>	<input type="checkbox"/>
	3 μW	± 0.02 dB or ± 0.5%		
	10 μW	"		
	30 μW	"		
	100 μW	"		
	300 μW	"		
	1 mW	"		
	3 mW	"		
	10 mW	"		
	30 mW	"		
	100 mW	"		
	20.00 dBm	±0.04 dBm		
	-10.00 dBm	±0.04 dBm		
4	Power Reference Frequency:		<input type="checkbox"/>	<input type="checkbox"/>
	50.0 MHz	50.0 MHz ± 1% (49.5 MHz to 50.5 MHz)		
5	Power Reference Level:		<input type="checkbox"/>	<input type="checkbox"/>
	1.0 mW (0.00 dBm)	1.0 mW ± 1.2% 0.988 mW to 1.012 mW		

2

Service

Introduction

This chapter provides service information for your Agilent 53147A/148A/149A. It is divided into four major sections:

- **Returning the Instrument to Agilent Technologies for Service** (page 2-3). This section provides you with step-by-step instructions on how to return the instrument for service.
- **Calibration Procedures** (page 2-6). This section provides step-by-step procedures for calibrating the Agilent 53147A/148A/149A.
- **Pre-Troubleshooting Information** (page 2-23). This section provides you with pertinent information such as safety considerations, recommended test equipment, repair and after-service considerations, and assembly identification and location.
- **Troubleshooting the Instrument** (page 2-28). This section provides you with troubleshooting procedures that isolate the faulty assembly or module. Replacement and recalibration of most modules can only be performed at an authorized Agilent Technologies Service Center.

If the instrument is under warranty, return it to Agilent for service. Refer to “Returning the Instrument to Agilent Technologies for Service” on page 2-3. If you decide to troubleshoot the instrument yourself, refer to the section titled “Troubleshooting the Instrument” on page 2-28.

Returning the Instrument to Agilent Technologies for Service

Providing Repair Information

Before shipping the instrument to an Agilent Technologies office for service or repair, call the nearest Agilent Sales Office to make arrangements. Then, tag and package the Agilent 53147A/148A/149A for shipment.

NOTE

ISD (Instrument Service Division) Emergency Response or Express Calibration Service is available for Agilent customers in the USA. If downtime is critical, you can receive your repaired instrument via overnight shipment. Call 800-403-0801, and ask for *Emergency Response or Express Calibration Service*. When your instrument is repaired, it is returned via overnight shipment at no extra charge.

- 1 Write the following information on a tag:
 - Owner's name and address
 - Instrument model number
 - Complete serial number
 - Description of service required or failure indications
- 2 Attach the tag to the instrument.
- 3 Pack the instrument.

If the original packaging materials are available, use the procedure titled "Packing the Instrument in the Original Packaging Materials." If the original packaging materials are not available, you can order new packaging materials from an Agilent Sales Office. The new packaging materials are identical to those used by the factory when packaging new instruments. To use commercially available packaging materials, use the procedure titled "Packing the Instrument in Commercially Available Packaging Materials." Both procedures are on the following page.

Packing the Instrument in the Original Packaging Materials

To prevent shipping damage, it is best to repack the instrument in its original packaging. In any correspondence, refer to the instrument by the model number and the complete serial number.

- 1** Disconnect the power cord, probes, cables, or other accessories attached to the instrument.
- 2** Make sure the folded corrugated spacer (which normally contains the manuals) is in the box to ensure proper fitting.
- 3** Make sure one of the polystyrene blocks is in its proper position in the box.
- 4** Place the instrument, front panel end first, on the polystyrene block.
- 5** Place the other polystyrene block on top of the rear end of the instrument to secure it.
- 6** Do not return the manuals with the instrument. Return an accessory only when it is a part of the failure symptoms.
- 7** Seal the shipping container securely.

Packing the Instrument in Commercially Available Packaging Materials

If the original factory packaging materials are not available, use the following procedure to pack the instrument in commercially available shipping materials.

- 1 Wrap the instrument in heavy paper or plastic.
- 2 Place the instrument in a strong shipping container. Use a double-walled carton made of at least 350 lb. test material.
- 3 Protect the control panel with cardboard.
- 4 Add a layer of shock-absorbing material that is 3 to 4 inches (70 to 100 mm) thick around all sides of the instrument cushion it and to prevent it from moving within the container
- 5 Seal the shipping container securely.
- 6 Mark the shipping container **FRAGILE**.

Calibration Procedures

There are four calibration procedures that can be performed outside of an Agilent authorized service facility. The following procedures describe how to calibrate the frequency of the instrument's timebase, the frequency and output level of the power reference oscillator, and the DVM.

Equipment Required

Table 2-1 lists the test equipment and accessories needed to perform the calibration procedures in this chapter.

Table 2-1. Recommended Test Equipment and Accessories

Instrument Type	Required Characteristics	Model Recommended *	Quantity Required
Digital Multimeter	6½ digit AC/DC	Agilent 34401A	1
Power Meter	Range 1 mW	Agilent 432A	1
Power Meter	100 kHz to 110 GHz, -70 dBm to +44 dBm	Agilent E4418B	1
Frequency Counter	10 Hz to 125 MHz	Agilent 53150A/51A/52A	1
Thermistor Mount	SWR 1.05 at 50 MHz Accuracy ±0.5% at 50 MHz	Agilent 478A-H75 or 478A-H76	1
Power Sensor	10 MHz to 18 GHz, -30 dBm to +20 dBm	Agilent 8481A	1
Power Sensor Cable	5 ft.	Agilent 11730A	1†
Range Calibrator	3, 10, 30, 100, and 300 µW 1, 3, 10, 30, and 100 mW	Agilent 11683A	1
Serial Cable	RS-232, DB-25 to RJ-45	Agilent 53150-60215	1
Precision DC Power Supply	+ 50 V / - 50 V	Agilent 6613C or 6614C	1
Cable	BNC (m) to BNC (m)	Agilent 10503 series	1
Adapter	Type N (m) to BNC (f)	Agilent E9635A	1

* Equivalent equipment can be substituted for all instruments and accessories.

** OV = Operational Verification P = Performance Tests C = Calibration T = Troubleshooting

† One supplied with Agilent 53147A/48A/49A

10 MHz Timebase Calibration

Equipment Required

10 MHz Frequency Reference Standard
Agilent 11730A Power Sensor Cable (provided with 53147A/148A/149A)
Agilent 10503 series BNC (m) to BNC (m) Coaxial Cable
Small, non-metallic adjustment tool for slotted screw heads

NOTE

The instrument and the test equipment must be powered on for at least 30 minutes prior to beginning this calibration procedure. This allows the internal temperatures of the equipment to stabilize.

- 1 Connect an Agilent 10503 series coaxial cable from the output of your 10 MHz frequency standard to the Counter's CHANNEL 1 input on the instrument's front panel.
- 2 Press the **Resol** key, and verify that the resolution is set to 1 HZ. If necessary change the resolution to 1 HZ.
- 3 If there is a label covering the calibration adjustment access hole, remove it (see Figure 2-1).

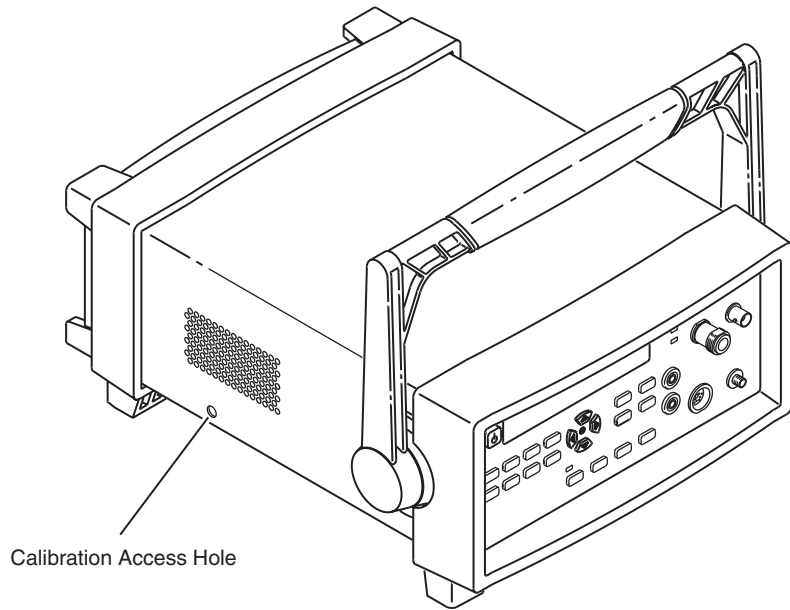


Figure 2-1. Calibrating the 10 MHz Frequency Reference Oscillator

- 4 Insert a non-metallic, slot-type adjustment tool through the hole near the bottom of the instrument's left side and into the slot in the timebase calibration screw.
- 5 Turn the calibration screw clockwise to increase the Counter's reading or counter-clockwise to decrease the reading until the frequency value displayed on the Counter's front panel is exactly 10,000,000 Hz.

Power Reference Oscillator Frequency Calibration

The internal power reference oscillator is used to calibrate the Power Meter to the power sensor head. This adjustment calibrates the frequency output of the power reference oscillator to 50.0 MHz \pm 0.5 MHz.

Equipment Required

Agilent 53150A Microwave Frequency Counter
Agilent 10503 series BNC (m) to BNC (m) Coaxial Cable
Agilent E9635A Type N (m) to BNC (f) Adapter
Small, non-metallic adjustment tool for slotted screw heads

NOTES

- The instrument and the test equipment must be powered on for at least 30 minutes prior to adjusting the power reference oscillator output. This allows the internal temperatures of the equipment to stabilize.
- This procedure specifies the Agilent 53150A for measuring the frequency output of the 53147A/48A/49A's power reference oscillator. If the 53147A/48A/49A's Frequency Counter is known to be in calibration (see "Test 1: Channel 1 Frequency Sensitivity" on page 1-18), you can use it in place of the 53150A in this procedure.
- Adjusting the power reference oscillator frequency may also affect the output level of the oscillator. Therefore, after you adjust the frequency to 50.0 MHz \pm 0.05 MHz, always check the output level and adjust it, if necessary, as described in "Power Reference Oscillator Level Adjustment" on page 2-13.

-
- 1** Turn off the Agilent 53147A/48A/49A, and disconnect the power cord.
 - 2** Remove the shroud from the Agilent 53147A/48A/49A (see "Removing the Shroud" on page 3-7).
 - 3** Position the Agilent 53147A/48A/49A on its right side so that you have access to the front panel and the left side of the main circuit board (see Figure 2-2).

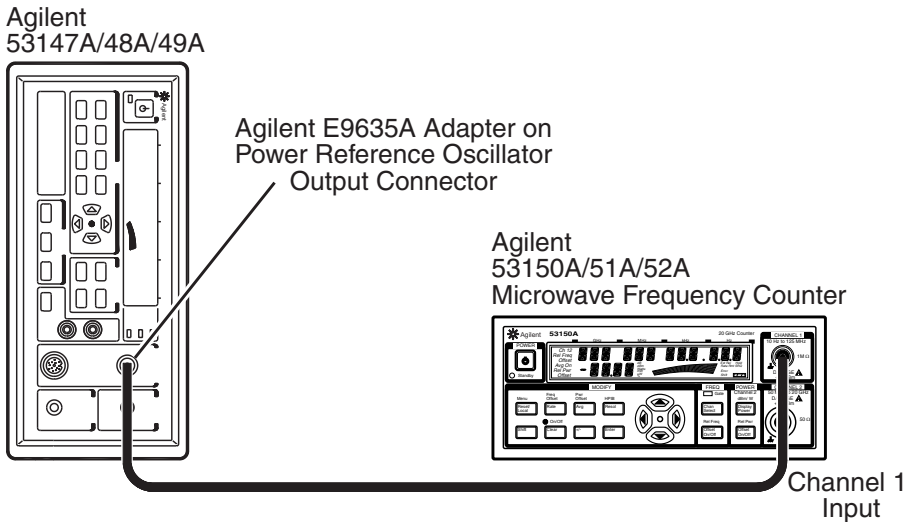


Figure 2-2. Reference Oscillator Frequency Adjustment Setup

- 4 Connect the power cord to the Agilent 53147A/48A/49A and to a power outlet.

WARNING

DANGEROUS VOLTAGES ARE PRESENT INSIDE THE AGILENT 53147A/148A/149A WHEN IT IS CONNECTED TO A POWER SOURCE. WORK VERY CAREFULLY AND AVOID CONTACT WITH INTERNAL COMPONENTS WHEN THE SHROUD IS REMOVED AND POWER IS APPLIED TO PREVENT INJURY OR DEATH FROM ELECTRICAL SHOCK.

CAUTION

Some internal components of the Agilent 53147A/48A/49A are subject to damage from electrostatic discharge (ESD), physical contact, and/or electrical short circuits. Work very carefully when the shroud is removed, and avoid all unnecessary contact with the internal components.

Chapter 2 Service
Calibration Procedures

- 5 Turn on the Agilent 53147A/48A/49A and then wait for at least 30 minutes to allow the internal temperature of the instrument to stabilize.
- 6 Connect an Agilent E9635A adapter to the Power Meter OUTPUT connector as shown in Figure 2-2.
- 7 Connect an Agilent 10503 series cable from the Agilent E9635A adapter on the Agilent 53147A/148A/149A's Power Meter OUTPUT connector to the CHANNEL 1 input connector on the Agilent 53150A/51A/52A Frequency Counter.
- 8 Set the Agilent 53150A/51A/52A Frequency Counter to measure frequency on Channel 1.
- 9 Turn on the Agilent 53147A/148A/149A's internal power reference oscillator:

Press **Shift + Menu**, use the up and/or down arrow keys to cycle through the menu to PWR REF, press the right-arrow key, then use the up or down arrow key to change the setting to ON, and press the **Enter** key. The Pwr Ref annunciator should now be activated.

NOTE

The reference oscillator is normally off. It is turned on automatically during calibration and then turned back off when calibration is complete. Setting PWR REF in the 53147A/148A/149A's menu to ON turns the power reference oscillator on, and it remains on until the PWR REF menu setting is returned to OFF. When you calibrate the Power Meter with PWR REF set to ON, the power reference oscillator remains on after calibration is complete.

- 10 Insert a small, non-conductive, slot-type adjustment tool into the hole in the side of the power reference oscillator shield (see Figure 2-3). This opening allows access to L9, the adjustable inductor that is used to adjust the frequency of the power reference oscillator.

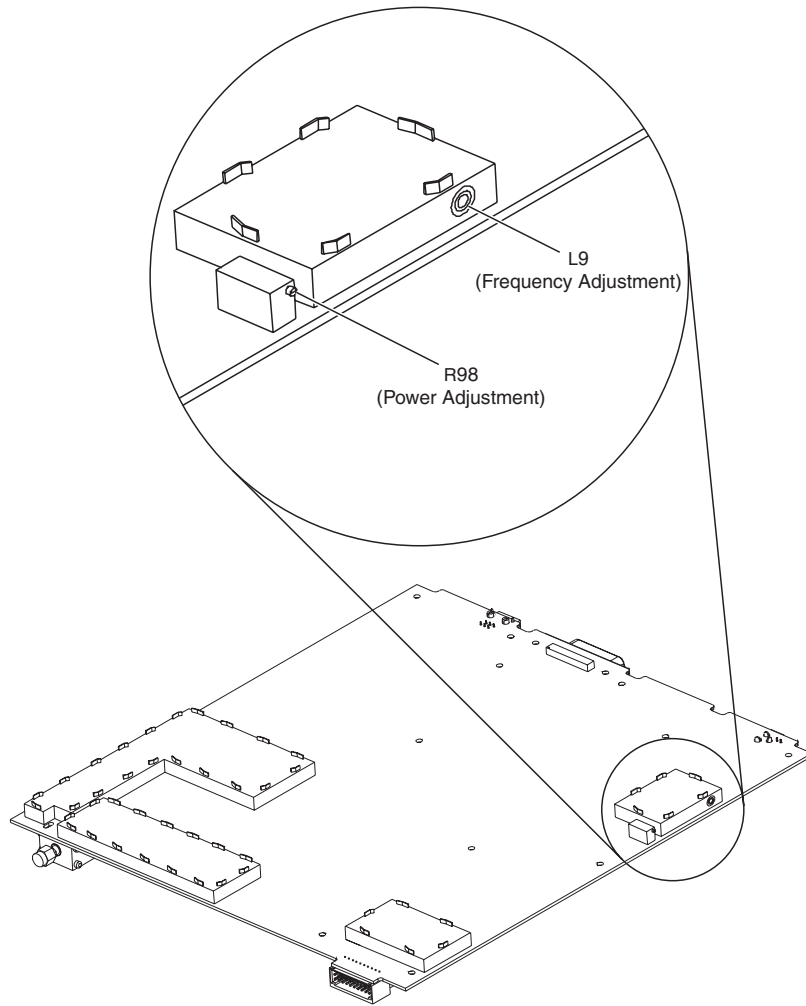


Figure 2-3. Power Reference Oscillator Adjustment Locations

- 11 Set the frequency to 50.0 MHz \pm 0.05 MHz (49.95 MHz to 50.05 MHz). Turn the adjustment tool counter-clockwise to increase the frequency or clockwise to decrease the frequency.

Power Reference Oscillator Level Adjustment

Two methods for calibrating the level of the Power Meter reference signal are provided in this section. Both methods provide acceptable results, and either one can be used.

Method 1

Equipment Required

Agilent E4418B Power Meter
Agilent 8481A Power Sensor
Agilent 11730A Power Sensor Cable (supplied with 53147A/48A/49A)

NOTES

- To ensure that the results are valid, the Agilent 53147A/48A/49A and the test equipment should be powered on for at least 30 minutes prior to beginning the calibration procedure. This allows the internal temperatures of the equipment to stabilize.
- The calibration of the Agilent E4418B Power Meter must be no more than one level removed from NIST (National Institute of Standards and Technology). If the E4418B Power Meter's calibration is more than one level removed from NIST, the test results will be invalid.
- This test is appropriate for the Agilent 53147A, 53148A, and 53149A.

- 1 Connect the Agilent 11730A Power Sensor Cable to the Agilent 8481A Power Sensor (see Figure 2-4).

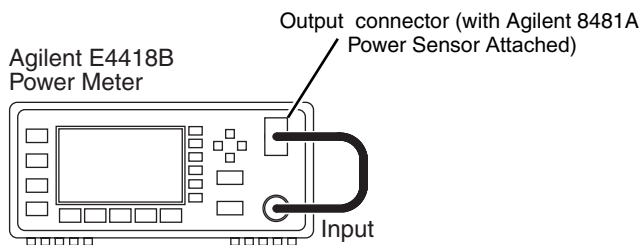
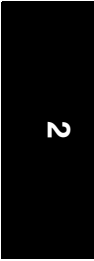


Figure 2-4. E4418B Power Meter Zeroing and Calibration Test Setup



Chapter 2 Service Calibration Procedures

- 2 Connect the free end of the Agilent 11730A Power Sensor Cable to the input connector on the Agilent E4418B Power Meter.
- 3 Connect the Agilent 8481A Power Sensor to the power reference output connector of the Agilent E4418B Power Meter.
- 4 Zero the E4418B Power Meter.
- 5 Calibrate the E4418B Power Meter.
- 6 Disconnect the Agilent 8481A Power Sensor from the Agilent E4418B Power Meter, and immediately connect it to the Power OUTPUT connector on the Agilent 53147A/48A/49A (see Figure 2-5).

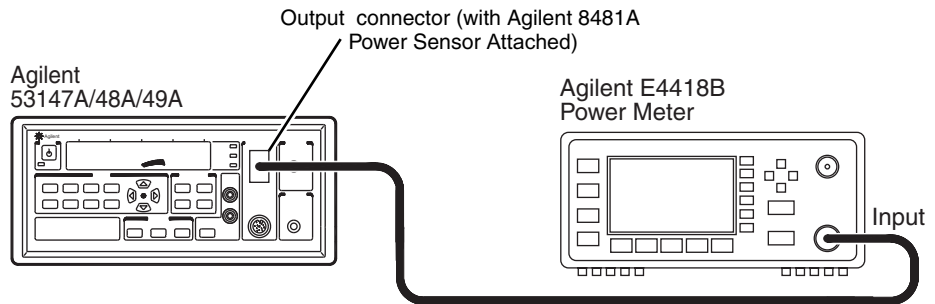


Figure 2-5. Power Meter Reference Level Test Setup

- 7 Use a non-metallic, slot-type adjustment tool to adjust the setting of R98 on the main circuit board (see Figure 2-3) until the power level is as close to 1.000 mW as possible (the level must be between 0.988 mW and 1.012 mW). Turn the adjustment tool counter-clockwise to increase the power level or clockwise to decrease the power level.

Method 2

Equipment Required

Agilent 432A Power Meter
Agilent 478A-H75 or 478A-H76 Thermistor Mount
Agilent 34401A Digital Multimeter
Agilent 8120-1082 Power Sensor Cable

NOTE

To ensure that the results are valid, the Agilent 53147A/48A/49A and the test equipment should be powered on for at least 30 minutes prior to beginning the calibration procedure. This allows the internal temperatures of the equipment to stabilize.

- 1 Make sure the Agilent 432A Power Meter is off. Do not turn it on until instructed to do so.
- 2 Set the Agilent 34401A Digital Multimeter to measure resistance, and connect the DVM test prods between the center pin of the V_{RF} connector on the Agilent 432A Power Meter rear panel and pin 1 on the thermistor-mount end of the Agilent 8120-1082 Power Sensor Cable (see Figure 2-6 to locate pin 1).

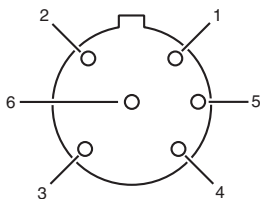


Figure 2-6. Agilent 8120-1082 Power Sensor Cable End View

- 3 Round off the resistance reading to two decimal places and keep a record of this value as R. It is the internal bridge resistance (R) of the Agilent 432A Power Meter (this should be approximately 200.3 ohms).
- 4 Connect the Agilent 478A-H75 or 478A-H76 Thermistor Mount to the Agilent 53147A/148A/149A Power Meter OUTPUT connector, as shown in Figure 2-7.

NOTE

Do not use a cable between the Thermistor Mount and the 53147A/148A/149A Power Meter OUTPUT connector. Connect the Thermistor Mount directly to the OUTPUT connector.

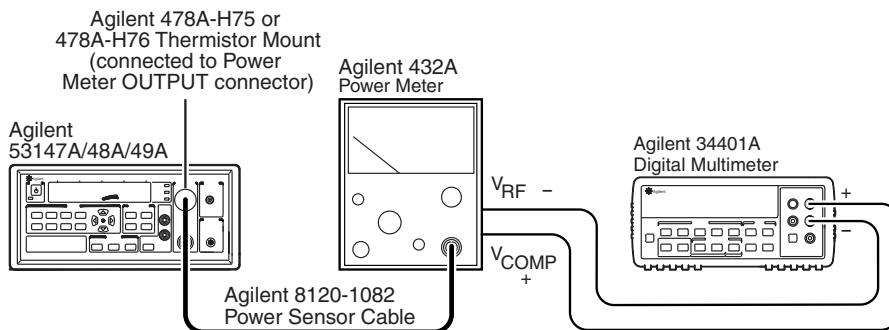


Figure 2-7. Power Meter Reference Level Calibration Setup

- 5 Connect the Agilent 8120-1082 Power Sensor Cable between the Thermistor Mount and the input connector on the Agilent 432A Power Meter.
- 6 Turn on the 432A Power Meter. Wait 30 minutes for the Power Meter and the Thermistor Mount to stabilize before proceeding to the next step.
- 7 Set the 432A Power Meter's **RANGE** switch to Coarse Zero.
- 8 Adjust the **COARSE ZERO** control on the 432A Power Meter's front panel to obtain a zero reading on the meter.
- 9 Set the 432A Power Meter's **RANGE** switch to .01 mW / -20 dBm.
- 10 Press the **FINE ZERO** control on the 432A Power Meter's front panel down to obtain a zero reading on the meter.
- 11 Set the 432A Power Meter's **RANGE** switch to 1 mW.
- 12 Set the Digital Multimeter to measure microvolts.

CAUTION

Ensure that the Agilent 34401A Digital Multimeter's input leads are isolated from chassis ground before performing the next step.

- 13 Connect the positive test prod from the Agilent 34401A Multimeter to the V_{COMP} connector on the Agilent 432A Power Meter rear panel.

NOTE

The V_{COMP} and V_{RF} connectors are BNC female. You can use two BNC-to-banana jack adapters and two BNC cables to make it easier to connect the Multimeter to the Power Meter.

- 14 Connect the negative test prod from the Agilent 34401A Multimeter to the V_{RF} connector on the 432A Power Meter's rear panel.
- 15 If the reading on the Multimeter is less than 400 microvolts, proceed to step 16. If the reading is 400 microvolts or more, press the **FINE ZERO** toggle switch on the 432A Power Meter's front panel down.
- 16 Observe the reading on the Multimeter, round off the reading to the nearest microvolt, and keep a record of this value as V_0 .
- 17 Turn on the Agilent 53147A/148A/149A's internal power reference oscillator:
Press **Shift + Menu**, use the up and/or down arrow keys to cycle through the menu to PWR REF, press the right-arrow key, then use the up or down arrow key to change the setting to ON, and press the **Enter** key. The Pwr Ref annunciator should now be activated.

NOTE

The reference oscillator is normally off. It is turned on automatically during calibration and then turned back off when calibration is complete. Setting PWR REF in the 53147A/148A/149A's menu to ON turns the power reference oscillator on, and it remains on until the PWR REF menu setting is returned to OFF. When you calibrate the Power Meter with PWR REF set to ON, the power reference oscillator remains on after calibration is complete.

- 18 Observe the reading on the Multimeter, and keep a record of this value as V_1 .

Chapter 2 Service
Calibration Procedures

- 19 Disconnect the Multimeter's negative test lead from the 432A Power Meter's V_{RF} connector, and connect it to the 432A Power Meter's chassis ground.
- 20 Observe the reading on the Multimeter, and keep a record of this value as V_{COMP} .
- 21 Calculate the output level of the 53147A/148A/149A's power reference oscillator (P_{rf}) using the following formula:

$$P_{rf} = \frac{2 V_{comp} (V_1 - V_0) + V_0^2 - V_1^2}{4R \text{ (Calibration Factor)}}$$

Where:

- P_{rf} = Power reference oscillator output level
- V_{comp} = previously recorded value
- V_1 = previously recorded value
- V_0 = previously recorded value
- R = previously recorded value
- CalibrationFactor = value for thermistor mount at 50 MHz (traceable to NIST)

NOTE

The following is an example showing how a calculation of the Power Reference Output Level is performed:

$$\begin{aligned}R &= 200 \Omega \\V_0 &= 170 \mu V \text{ or } 170 \times 10^{-6} V \\V_1 &= 78,107 \mu V \text{ or } 78,107 \times 10^{-6} \text{ or } .078 V \\V_{comp} &= 5.1583 V \\R &= \text{previously recorded value} \\ \text{Calibration Factor} &= 99.68\%\end{aligned}$$

$$P_{rf} = \frac{2 V_{comp} (V_1 - V_0) + V_0^2 - V_1^2}{4R (\text{Calibration Factor})}$$

Note that V_0 is eventually dropped out of the equation in the following steps, because its value is very small (effectively zero).

$$\begin{aligned}P_{rf} &= \frac{2 (5.1583) (.078 - 0)^2 + (.000170)^2 - (0.78)}{4(200) (99.68\%)} \\ &= \frac{0.80469 - 0.00608}{797.44} = \frac{0.79861}{797.44} \\ &= 1.00147 \text{ mW}\end{aligned}$$

-
- 22** Use a non-metallic, slot-type adjustment tool to adjust the setting of R98 on the main circuit board (see Figure 2-3) until P_{rf} is between 0.988 mW and 1.012 mW. Turn the adjustment tool counter-clockwise to increase the power level or clockwise to decrease the power level.

DVM Calibration

The DVM calibration procedure is semi-automatic in that it is accomplished via software embedded in the Agilent 53147A/48A/49A. A computer and an RS-232 serial cable are required to access the calibration software.

Equipment Required

A computer with an RS-232 serial interface and terminal software
Agilent 53150-60215 RS-232 Serial Cable
Agilent 6613C or 6614C Precision DC Power Supply

NOTE

To ensure that the results are valid, the Agilent 53147A/48A/49A and the Agilent 6613C/6614C Precision DC Power Supply should be powered on for at least 30 minutes prior to beginning the calibration procedure. This allows the internal temperatures of the equipment to stabilize.

- 1 Press the Display DVM key on the Agilent 53147A/48A/49A.
- 2 Connect the DVM test leads to the DVM + and – connectors on the Agilent 53147A/48A/49A (red to + and black to –).
- 3 Connect the test prods to the + and – output connectors on the Agilent 6613C/6614C Precision DC Power Supply.
- 4 Set the 6613C/6614C Precision DC Power Supply to output exactly + 50.0 V.
- 5 Connect the Agilent 53150-60215 RS-232 Serial Cable between the computer's serial port (DB-25) and the Agilent 53147A/48A/49A's serial port (RJ-45).
- 6 Start the terminal software on the computer.
- 7 Send "**!acq 60**" from the terminal program to the Agilent 53147A/48A/49A (be sure to type lowercase letters when typing "**!acq 60**").
- 8 Press "5" on the computer to choose option 5 from the DMM Tests menu (see Figure 2-8).

Chapter 2 Service
Calibration Procedures

***** DVM TESTS *****

Select one of the following DVM tests:

1. Measure Fz - Frequency in Zero Mode
2. Measure Fr - Frequency in Positive Reference Mode
3. Measure Fn - Frequency in Negative Reference Mode
4. Measure Fm - Frequency in Input mode
5. Calculate and Save Calibration Constant.
6. Measure Voltage
7. Set the Gate time: 10ms - 1000 ms.
8. Choose Gated mode
9. Choose Reciprocal mode
 - A. Choose Single Measurement mode.
 - B. Choose Continuous Measurement mode.
- E. Exit DVM tests.

Choose one of the above? (1 - 9, E) 5

Figure 2-8. DVM Tests Main Menu

- 9 When the calibration program displays:

Apply 50.000 Volts Reference to the DVM. Ready? (y/n) y

type “y”.

- 10 When the calibration program displays:

Update from old 10974.12 to new 10974.1 Cal. Constant? (y/n) y

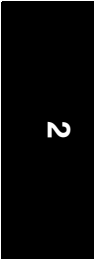
type “y” (the values in the display line above are simulated).

- 11 When the calibration program displays:

Apply -50.000 Volts Reference to the DVM. Ready? (y/n) y

- 12 Reverse the connection of the test prods in the + and - output connectors on the Agilent 6613C/6614C Precision DC Power Supply (red to - output, black to + output), or reverse the polarity of the power outputs.

- 13 Type “y”.



Chapter 2 Service
Calibration Procedures

- 14** When the calibration program displays:

Update from old 10974.01 to new 10974.96 Cal. Constant? (y/n) y

type “y” (the values in the display line above are simulated).

- 15** When the calibration program redisplay its menu (as shown in Figure 2-8), type “e” to exit the program.
- 16** Close the terminal program and disconnect the serial cable from the computer and the instrument.

Pre-Troubleshooting Information

This section contains the following pertinent troubleshooting information:

- Safety Considerations
- Recommended Test Equipment
- Repair Considerations
- After Service Considerations
- Assembly Identification and Location

Safety Considerations

Although this instrument has been designed in accordance with international safety standards, this guide contains information, cautions, and warnings which must be followed to ensure safe operation and to retain the instrument in a safe condition. Service instructions, and adjustment procedures requiring removal of the instrument cover, are for use by service-trained personnel only. To avoid dangerous electric shock, do not perform any servicing or make any adjustments with the cover removed, unless qualified to do so.

WARNING

BEFORE APPLYING AC POWER, THE INSTRUMENT AND ALL PROTECTIVE EARTH TERMINALS, EXTENSION CORDS, AUTO TRANSFORMERS, AND DEVICES CONNECTED TO THE INSTRUMENT SHOULD BE CONNECTED TO A PROTECTIVE EARTH GROUNDED SOCKET.

ANY INTERRUPTION OF THE PROTECTIVE GROUNDING CONDUCTOR INSIDE OR OUTSIDE THE INSTRUMENT OR DISCONNECTION OF THE PROTECTIVE EARTH TERMINAL WILL CAUSE A POTENTIAL SHOCK HAZARD THAT COULD RESULT IN PERSONAL INJURY. INTENTIONAL INTERRUPTION IS PROHIBITED.

Any maintenance and repair of the opened instrument under voltage should be avoided as much as possible and, if necessary, should be carried out only by a skilled person who is aware of the hazards involved (for example, fire and electric shock).

Recommended Test Equipment

Test equipment recommended for testing and troubleshooting the Agilent 53147A/148A/149A is listed in Chapter 1, “Performance Tests.” Substitute equipment may be used if it meets or exceeds the required characteristics listed in Table 1-1.

Repair Considerations

Electrostatic Discharge

Electronic components and assemblies in the Agilent 53147A/148A/149A can be permanently degraded or damaged by electrostatic discharge. Use the following precautions when servicing the instrument:

- 1 ENSURE** that static-sensitive devices or assemblies are serviced at static-safe work stations providing proper grounding for service personnel.
- 2 ENSURE** that static-sensitive devices or assemblies are stored in static shielding bags or containers.
- 3 DO NOT** wear clothing subject to static-charge buildup, such as wool or synthetic materials.
- 4 DO NOT** handle components or assemblies in carpeted areas.
- 5 DO NOT** remove an assembly or component from its static shielding protection until you are ready to install it.
- 6 AVOID** touching component leads. (Handle by packaging only.)

Surface Mount Repair

None of the assemblies in the instrument that use surface-mount components can be repaired outside of authorized Agilent Service Centers. Any attempt to repair these assemblies voids the Agilent factory warranty.

Disassembly and Reassembly Specifics

Refer to Chapter 3 of this guide, “Replacing Assemblies,” for complete disassembly and reassembly instructions, and Chapter 4, “Replaceable Parts” for an exploded view of the instrument’s parts.

After Service Considerations

Product Safety Checks

The following safety checks must be performed after any troubleshooting and repair procedures have been completed to ensure the safe operation of the instrument.

WARNING

THE RESISTANCE CHECKS DESCRIBED IN THE FOLLOWING TEXT REQUIRE THAT THE POWER CORD BE CONNECTED TO THE INSTRUMENT AND THAT AC POWER BE DISCONNECTED. BE SURE THAT THE POWER CORD IS NOT CONNECTED TO AN AC POWER SOURCE BEFORE PERFORMING ANY SAFETY CHECKS.

- 1 VISUAL INSPECTION.** Visually inspect the interior of the instrument for any signs of abnormal internally generated heat, such as discolored printed circuit boards or components, damaged insulation, or evidence of arcing. Determine and remedy the cause of any such condition.
- 2 GROUND CONTINUITY TEST.** Plug the power cord into the rear- panel power receptacle. (DO NOT connect the instrument to AC power at this time.) Using a suitable ohmmeter, check resistance from the instrument's metallic connection (such as the rear panel or BNC ground collar) to the ground pin on the power cord plug. The reading must be less than 1 Ω . Flex the power cord while making this measurement to determine whether intermittent discontinuities exist.

Pre-Troubleshooting Information

- 3 Check any indicated front- or rear-panel ground terminals marked, using the above procedure.
- 4 **INSULATION RESISTANCE TEST.** Tie the line and neutral pins of the power cord plug together. Measure the resistance from the instrument enclosure (chassis) to the line and neutral pins of the power cord plug. The minimum acceptable resistance is 2 MΩ. Replace any component which results in a failure.

Product Performance Checks

After replacement of any functional assembly, perform the operational verification test in Chapter 1 of this guide, “Performance Tests.”

Assembly Identification and Location

The assembly number, name, and Agilent part number of each of the Agilent 53147A, 53148A, and 53149A assemblies are listed in Table 2-2. Figure 2-9 illustrates the replaceable assemblies in the Agilent 53147A/148A/149A.

Table 2-2. Agilent 53147A/148A/149A Assembly Identification

Assembly Name	Agilent Part No.
A1 Adapter (53149A only)	53152-80001
A2 Front Panel Assembly (53147A)	53147-60207
A2 Front Panel Assembly (53148A)	53148-60207
A2 Front Panel Assembly (53149A)	53149-60207
A3 Front Panel Power Switch Assembly (Power/Standby Switch)	53147-20203
A4 Battery Housing Assembly *	53150-00002
A5 DC/DC Converter PCB *	53150-60004
A6 Battery Switch Assembly *	53147-60223
A7 Battery *	53150-80010
A8 Battery Sled Assembly *	53150-00004
A9 Battery Cover Assembly	53150-00003
A10 Power Entry Module Assembly	53147-40007
A11 Rear Panel Assembly	53147-60219
A12 Cooling Fan Assembly	53147-80012
A13 Power Supply Assembly	0950-3299

* With Option 002 (Battery Option) only.

Chapter 2 Service
Pre-Troubleshooting Information

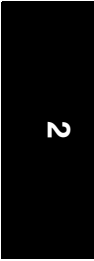
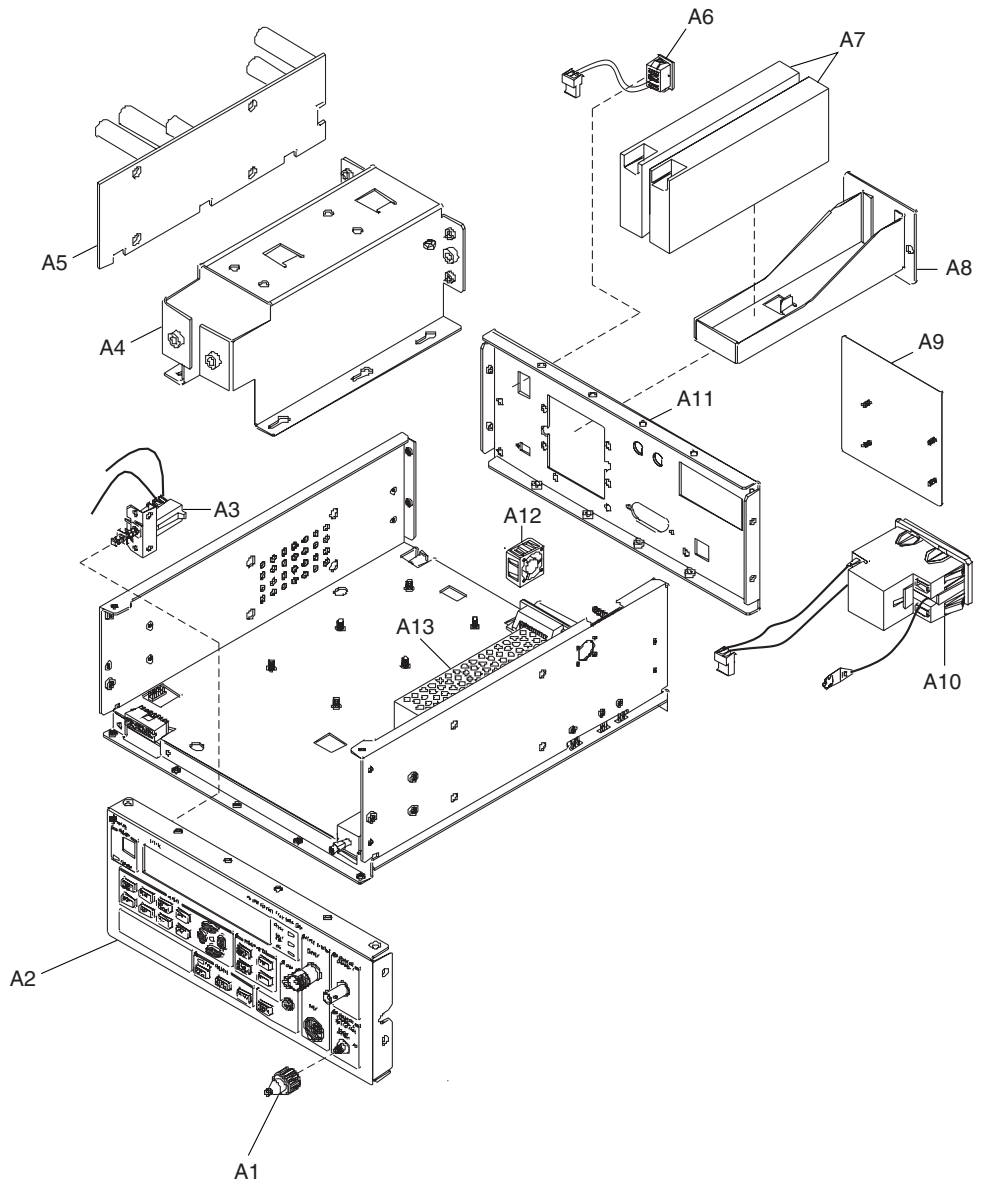


Figure 2-9. Replaceable Assembly Locations — Top Internal View

Troubleshooting the Instrument

Power Supply Check

WARNING

HAZARDOUS VOLTAGES ARE PRESENT ON THE POWER SUPPLY ASSEMBLY. ONLY TRAINED AND QUALIFIED SERVICE PERSONNEL SHOULD PERFORM THE FOLLOWING PROCEDURE.

- 1 Remove the power cord from the back of the instrument.
- 2 Remove the cover as described in Chapter 3.

NOTE

The DC Power Supply Assembly is fused for safety reasons. It must be assumed that, if the fuses are blown, the power supply has probably suffered damage and has therefore become unreliable. If the power supply fails, it must be replaced, even if the fuse in the power supply appears to be all that has failed.

- 3 Connect the instrument to the power source.
- 4 Connect the negative lead of a voltmeter to the chassis and measure each of the voltages listed in Table 2-3 on Power Supply connectors TB1 and TB2 (see Figure 2-10).

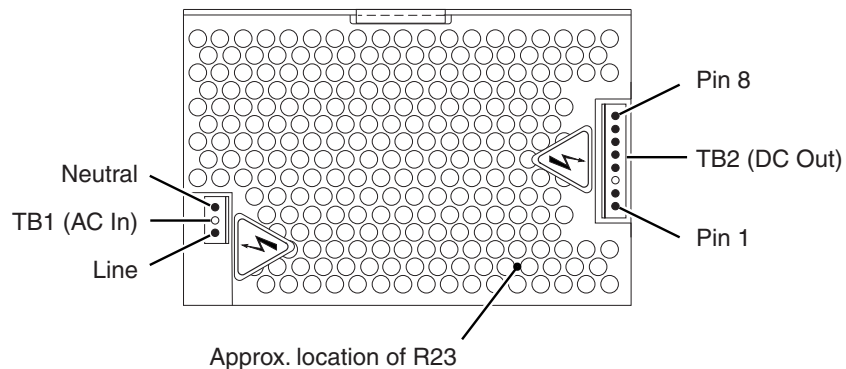


Figure 2-10. A4 DC Power Supply Test-Point Locations

Chapter 2 Service
Troubleshooting the Instrument

Table 2-3 lists A4 Power Supply's input and output voltages, the corresponding wire color for each input and output, and the tolerances specified for these voltages.

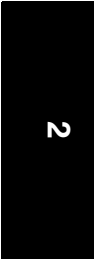
Table 2-3. A4 Power Supply Inputs and Outputs

Input/Output Voltage	Connector and Pin Designation	Wire Color	Tolerance
AC-input (neutral) 0 VAC*	TB1, pin N	blue	—
AC-input (line in) 85 - 264 VAC*	TB1, pin L	brown	—
-15.0 VDC @ 0.7 A max.	TB2, pin 1	lavender	±3%
0.0 VDC (ground for -15 VDC)	TB2, pin 2	brown	—
N/A (unused)	TB2, pin position 3 (no pin)	N/A	—
N/A (unused)	TB2, pin 4		
+15.0 VDC @ 2 A max.	TB2, pin 5	blue	±5%
0.0 VDC (ground for +15 VDC)	TB2, pin 6	brown	—
+5.0 VDC @ 5A max.	TB2, pin 7	red	±1%
0.0 VDC (ground for +5 VDC)	TB2, pin 8	black	—

* AC-input values are referenced to chassis ground.

Adjusting the +5 VDC Output

The +5 VDC output of the power supply is adjustable. If this voltage is found to be outside of the tolerance range listed in Table 2-3, it can be adjusted using R23, which is visible on the top surface of the power supply's circuit board. When adjusting the +5 VDC output, use a nonmetallic or insulated adjustment tool.



Self-Test

The instrument performs a Self-Test procedure when it is powered on. The Self-Test can also be invoked from the instrument's Menu.

Running the Self Test

- 1** Disconnect all cables connected to the instrument's front and rear signal connectors.
- 2** Connect the power cord to the power input connector on the instrument's rear panel and to an appropriate power source.
- 3** Press and release the **Power** button on the front panel.
- 4** Observe the front-panel display and note any error messages displayed.
- 5** When CH 2 NO SIGNAL is displayed, press and release the **Shift** key, and then press and release the **Menu** key.
- 6** Press the up-arrow key or the down-arrow key repeatedly until DO SELF TEST is displayed, and then press and release the **Enter** key.
- 7** Observe the front-panel display and note any error messages displayed.

Troubleshooting the Instrument***Self Test Error Messages***

Table 2-4 lists and describes messages that are generated by the instrument during Self-Test to indicate whether a component passed or failed its test. These messages are sent via the RS-232 serial output only—they do not appear on the instrument's front-panel display.

Table 2-4. Self-Test Messages

Message	Description
ROM TEST FAIL ROM TEST OK	ROM failed read test. ROM passed read test.
RAM DATA LINES OK RAM DATA ERROR RAM ADDR LINES OK RAM ADDR ERROR RAM TEST OK	RAM data lines passed test. RAM data lines failed test. RAM address lines passed test. RAM address lines failed test. RAM tests completed with no errors detected.
EEPROM FAIL - CONFIGURATION DATA	The configuration data saved in EEPROM memory is defective.
ROM FAIL; Computed checksum does not match the value stored in EEPROM.	The checksum of the ROM data does not match the value stored in EEPROM.
EEPROM FAIL - CONFIGURATION DATA; Needs to be (re)initialized.	The EEPROM org code does not verify with current revision of ROM code.
EEPROM FAIL - POWER CAL DATA; Using default data	The checksum of the EEPROM power-calibration table is bad. Factory default calibration data will be used.
EEPROM FAIL - SAVED SETTINGS; Using default data	The checksum of the user settings stored in EEPROM is bad. Factory default settings will be used.
EEPROM FAIL - SAVED SETTINGS; Invalid EEPROM SAV n Data.	The checksum of one set of user settings (1 – 9) stored in EEPROM is bad.
GPIB FAIL; Conf. Test	The GPIB hardware failed its confidence test.

Chapter 2 Service
Troubleshooting the Instrument

Tables 2-5 and 2-6 list and describe the messages that are generated by the instrument during Self-Test or during operation to indicate that a problem has been detected. These messages are displayed on the instrument's front-panel display and are also sent via the RS-232 serial output (in many cases, the exact message text that is displayed on the front panel is a condensed form of the message that is sent via RS-232).

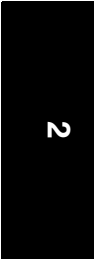
Table 2-5. Front Panel Display Error Messages

Message	Description
12V FAIL	The +12 VDC output from the power supply is not within specifications.
-12V FAIL	The -12 VDC output from the power supply is not within specifications.
-5V FAIL	The -5 VDC output from the power supply is not within specifications.
ADC FAIL	Failure detected in the ADC.
PATH FAIL	Failure detected in the Channel 1 signal path.
THRS FAIL	Failure detected in the Channel 1 threshold circuit.
THRS FAIL	Failure detected in the Channel 2 RF threshold circuit.
THRS THRU	Failure detected in the Channel 2 through-path threshold circuit.
THRS HET	Failure detected in the Channel 2 heterodyne-path threshold circuit.
EEP WRT FAIL	Failure detected while writing to EEPROM.
FPANEL FAIL	The front panel or its interconnecting cable is defective or not properly connected.
FPGA FAIL	Failure detected in the FPGA (Field Programmable Gate Array).
GPIB FAIL	Failure detected in the GPIB hardware.
HET PATH FAIL	Failure detected in the heterodyne-path circuit.
IIC FAIL	An attempt to write to the LCD display failed.
INSTCFG FAIL	The instrument's configuration data is missing or has become corrupted.
OVERTEMP	The instrument's internal temperature is above the acceptable limit.
PWR CAL FAIL	The instrument's power-calibration data is missing or corrupted.
PWR CKT FAIL	Failure detected in the Channel 2 power-measurement circuit.
RAM FAIL	Failure detected in RAM.
ROM FAIL	Failure detected in ROM.
SAV SET FAIL	One or more of the sets of user settings is missing or is corrupted.
SERVICE FAIL	The instrument's service data is missing or has become corrupted.
THRU FAIL	Failure detected in the through-path circuit of Channel 2.
VCO/CNT FAIL	Failure detected in the VCO or the Count Chain.

Chapter 2 Service
Troubleshooting the Instrument

Table 2-6. RS-232 Error Messages

Message	Description
12V FAIL	The +12 VDC output from the power supply is not within specifications.
-12V FAIL	The -12 VDC output from the power supply is not within specifications.
-5V FAIL	The -5 VDC output from the power supply is not within specifications.
ADC FAIL	Failure detected in the ADC.
B1 SIGNAL PATH FAIL	Failure detected in the Channel 1 signal path.
B1 THRESHOLD FAIL	Failure detected in the Channel 1 threshold circuit.
B2 RF THRESHOLD FAIL	Failure detected in the Channel 2 RF threshold circuit.
B2 THROUGH-PATH THRESHOLD FAIL	Failure detected in the Channel 2 through-path threshold circuit.
B2 HETERODYNE PATH THRESHOLD FAIL	Failure detected in the Channel 2 heterodyne-path threshold circuit.
EEPROM FAIL - WRITE	Failure detected while writing to EEPROM.
FRONT PANEL FAIL	The front panel or its interconnecting cable are defective or not properly connected.
FPGA FAIL	Failure detected in the FPGA (Field Programmable Gate Array).
GPIB FAIL	Failure detected in the GPIB hardware.
HETERODYNE PATH FAIL	Failure detected in the heterodyne-path circuit.
IIC FAIL	An attempt to write to the LCD display failed.
INSTCFG FAIL	The instrument's configuration data is missing or corrupted.
OVER TEMPERATURE	The instrument's internal temperature is above the limit.
PWR CAL FAIL	The instrument's power-calibration data is missing or corrupted.
POWER METER FAIL	Failure detected in the Channel 2 power-measurement circuit.
RAM FAIL	Failure detected in RAM.
ROM FAIL	Failure detected in ROM.
SAV SET FAIL	One or more of the sets of user settings is missing corrupted.
SERVICE FAIL	The instrument's service data is missing or corrupted.
THRU PATH FAIL	Failure detected in the through-path circuit of Channel 2.
VCO/COUNT CHAIN FAIL	Failure detected in the VCO or the Count Chain.



Chapter 2 Service
Troubleshooting the Instrument

Replacing Assemblies

Disassembly and Reassembly

Introduction

This chapter provides instructions for removing major assemblies in the Agilent 53147A/148A/149A. To install an assembly, apply the removal instructions in reverse.

The following disassembly and repair procedures are provided:

- Removing the Bumpers pg. 3-4
- Removing the Handle pg. 3-5
- Removing the Bumper Retainers pg. 3-6
- Removing the Shroud pg. 3-7
- Removing the Front Panel Assembly pg. 3-8
- Removing the Rear Panel Assembly pg. 3-11
- Removing the Cooling Fan pg. 3-13
- Removing the Power Supply pg. 3-14

WARNING

HAZARDOUS VOLTAGES ARE PRESENT ON THE POWER SUPPLY ASSEMBLY. DISCONNECT THE INSTRUMENT FROM THE POWER SOURCE, AND WAIT AT LEAST SIX MINUTES BEFORE WORKING INSIDE THE INSTRUMENT.

CAUTION

Do not replace assemblies when the instrument is operating to prevent damage to components.

NOTE

Unless otherwise stated, directional referents in the procedures in this chapter are accurate when viewing the instrument from the front.

Part numbers for all replaceable parts and assemblies are provided in Chapter 5, "Replaceable Parts."

Tools Required

Tools Required

The following tools are required for the removal/replacement procedures in this chapter:

- #1 Phillips screwdriver
- #2 Phillips screwdriver
- TORX® 15 (T15) hand screwdriver
- 1/4-inch open-end or box wrench
- 1/4-inch nut driver
- 5/16-inch nut driver
- 7 mm nut driver
- Needle-nose pliers

Do This First

Perform the following steps before beginning any of the removal and replacement procedures:

- 1 If the instrument is on, press and release the POWER button on the front panel.
- 2 Disconnect the AC power cord from the AC input socket on the rear panel.
- 3 If the instrument has the Battery Option (002) installed, remove the battery sled, and disconnect any DC input cable from the EXT DC connector on the rear panel.

CAUTION

While most of the hardware used in the instrument is SAE, the six TORX screws that attach the handle mounts to the instrument are metric. To avoid damage to the threaded holes in the chassis that handle mount screws fit in, be sure to use the correct screws.

Removing the Bumpers

Use the following procedure to remove the front and rear protective bumpers:

- 1 Remove the rear bumper by lifting the inner edge of the bumper away from the shroud near one corner at the top and one side and pulling that corner away from the instrument. Repeat the process with the remaining corners until the bumper is free of the instrument.



Figure 3-1. Removing the Bumpers

- 2 Use the same procedure (as in Step 1) to remove the front bumper.

NOTE

The bumpers can be used to support and protect the instrument after the shroud is removed. Place both bumpers on their inner edges on your work surface, and then place the instrument on top of them. The rear bumper can also serve as a holder for the instrument (once the bumper retainers are removed) when you need to position it upright on either end.

Removing the Handle

Use the following procedure to remove the carrying handle:

- 1 Remove the front bumper (see “Removing the Bumpers” on page 3-4).
- 2 Stand the instrument on end on its back bumper.
- 3 Position the handle so that it is against the top surface of the shroud (see Figure 3-2).

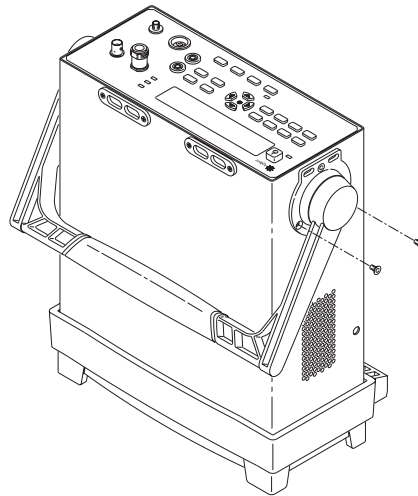


Figure 3-2. Removing the Handle

- 4 Use a T15 TORX screwdriver to remove two of the 8-32 x 1/4-inch handle mounting screws (remove the two screws that are closest to the back of the instrument).
- 5 Repeat Step 4 for the other handle mount.
- 6 While holding the handle to support it, remove the remaining two screws (one on each handle mount).
- 7 Remove the handle.

Removing the Bumper Retainers

Use the following procedure to remove the bumper retainers:

- 1 Remove the front and rear bumpers (see “Removing the Bumpers” on page 3-4).
- 2 Use a #1 Phillips screwdriver to remove the two 4-40 x 7/16-inch flathead machine screws that attach each bumper retainer to the chassis (see Figure 3-3).

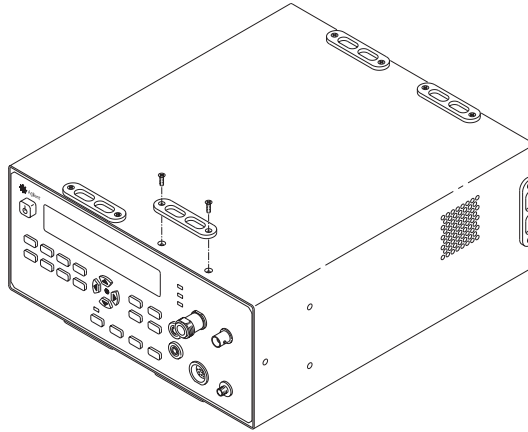


Figure 3-3. Removing the Bumper Retainers

- 3 Repeat Step 2 for each bumper retainer you need to remove.

CAUTION

When all of the bumper-retainer screws and the handle are removed, the shroud is not attached to the chassis. Exercise caution when moving the instrument in this condition to prevent the chassis from sliding out of the shroud. If you do not intend to remove the shroud, insert the bumper retainer screws in the holes they were removed from (the holes are countersunk to accept the screws, and the screws can safely be inserted fully into the holes).

Removing the Shroud

Use the following procedure to remove the shroud:

WARNING

WHEN THE SHROUD IS REMOVED FROM THE COUNTER, DANGEROUS LINE VOLTAGES THAT CAN CAUSE SERIOUS INJURY ARE EXPOSED. ALWAYS DISCONNECT THE POWER CORD BEFORE REMOVING THE SHROUD.

- 1 Remove all detachable connector fittings and/or adapters from the connectors on the instrument's front panel.
- 2 Remove the front and rear bumpers (see "Removing the Bumpers" on page 3-4).

NOTE

The bumpers can be used to support and protect the instrument after the shroud is removed. Place both bumpers on their inner edges on your work surface, and then place the instrument on top of them. The rear bumper can also serve as a holder for the instrument (once the bumper retainers are removed) when you need to position it upright on either end.

- 3 Remove the handle (see "Removing the Handle" on page 3-5).
- 4 Remove the four bumper retainers from the front end of the instrument (see Figure 3-3 and "Removing the Bumper Retainers" on page 3-6).
- 5 Remove the six bumper retainers at the rear end of the chassis.
- 6 Slide the shroud off the chassis to the rear (see Figure 3-4), and place it aside (if the shroud does not slide easily off the chassis, press on the rear panel with one hand while pulling the shroud with the other hand).

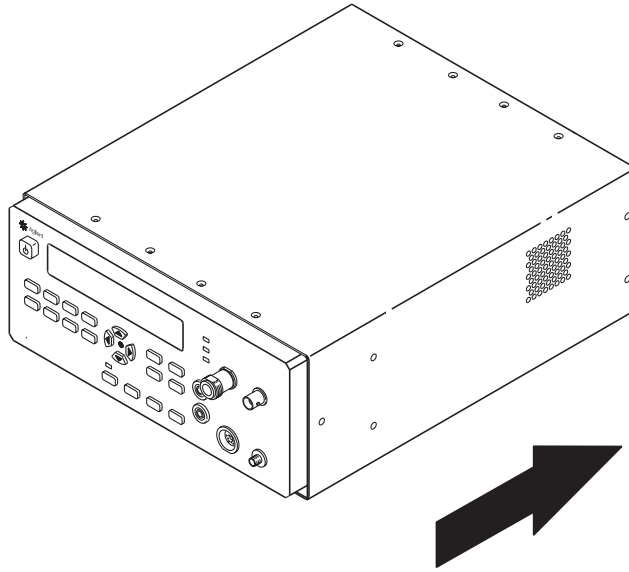


Figure 3-4. Removing the Shroud

Removing the Front Panel Assembly

Use the following procedure to remove the front panel assembly:

- 1** Remove the shroud (see “Removing the Shroud” on page 3-7).
- 2** Use a 5/16-inch wrench to loosen the nut that attaches the Power Meter output cable to the back of the Power Meter OUTPUT connector on the front panel assembly.
- 3** Disconnect the Power Meter output cable from the back of the Power Meter OUTPUT connector.

Removing the Front Panel Assembly

- 4 Disengage the Power Meter output cable from the cable clamp on the chassis floor near the right front corner of the chassis.
- 5 Disconnect the Power Meter input cable from J22, which is accessible through the rectangular opening in the chassis floor near the right-front corner of the chassis.
- 6 Disengage the Power Meter input cable from the cable clamp on the chassis floor near the right front corner of the chassis.
- 7 Disconnect the Power Meter INPUT connector's ground wire (black) from the ground lug on the chassis floor.
- 8 Disconnect the Channel 1 input cable from J15, which is accessible through a hole in the chassis floor that is at the front of the chassis, behind the **Chan Select** key.
- 9 Disconnect the DVM input connector from J23, which is accessible through the square hole in the chassis floor approximately 1/3 of the way back from the front panel in line with the **Display DVM** key.
- 10 Use a microwave torque wrench to partially loosen the nut that connects the Channel 2 input connector to the sampler on the main circuit board.

CAUTION

Do not attempt to fully loosen the nut at this time. As soon as the nut turns freely, stop turning it, and proceed to the next step.

- 11 Remove the two 6-32 x 1/4 flathead machine screws from the countersunk holes at the top-front corners of the chassis (see Figure 3-5).

Removing the Front Panel Assembly

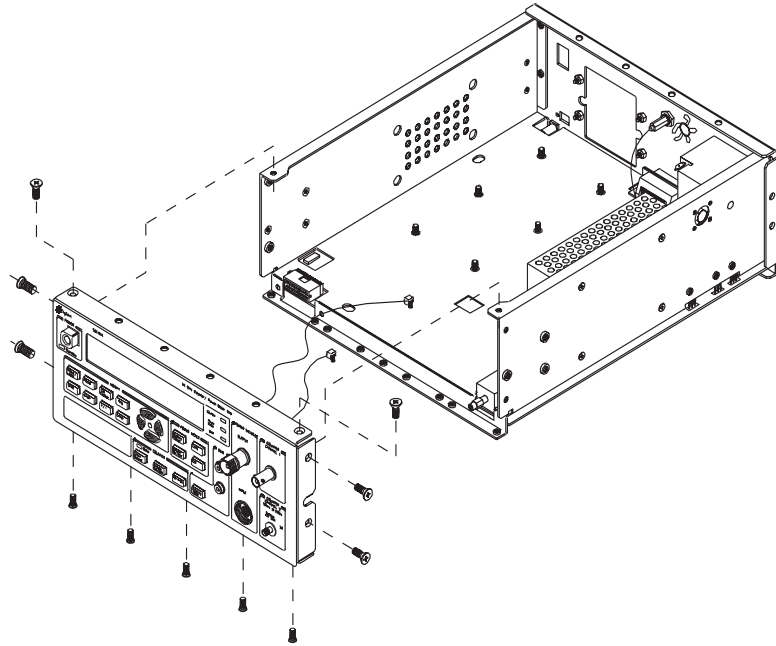


Figure 3-5. Removing the Front Panel Assembly

- 12 Remove the five 4-40 x ¼-inch flathead machine screws that attach the front-panel assembly to the bottom of the chassis.
- 13 Remove the two 6-32 x ¼-inch flathead machine screws from the countersunk holes at each side of the front the end of the chassis.
- 14 While holding the front panel assembly with one hand, use the fingers of your other hand to continue to loosen the nut on the Channel 2 input connector. Gently pull the front panel assembly away from the chassis as you loosen the nut until the front panel assembly is completely disconnected.

CAUTION

When reattaching the front panel assembly, reverse the procedure above. You *must* use a microwave torque wrench to tighten the nut that attaches the Channel 2 input connector to the sampler. Using any other tool to tighten the coupling nut will damage the connector, the sampler, or both.

Removing the Rear Panel Assembly

Use the following procedure to remove the rear panel assembly:

- 1 Remove the shroud (see “Removing the Shroud” on page 3-7).
- 2 If the Battery Option is *not* installed, remove the four 4-40 self-locking hex nuts that attach the battery opening cover to the rear panel (these nuts are accessible from inside the chassis). Remove the battery opening cover, and skip to step 5.
- 3 If the Battery Option *is* installed, remove the battery sled from the Counter (for instructions on removing the battery sled, see Appendix C of the *Agilent 53147A/148A/149A Operating Guide*).
- 4 If the Battery Option is installed, remove the four 4-40 x 3/16-inch self-locking flathead machine screws that attach the rear panel assembly to the Battery Option chassis as shown in Figure 3-6 (two screws on each side of the opening).

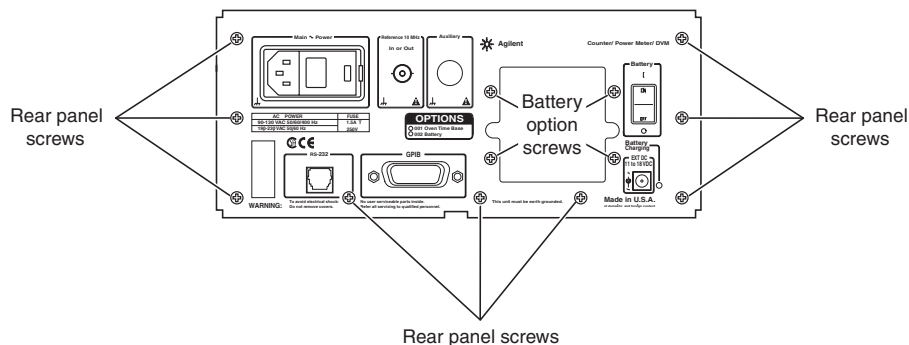


Figure 3-6. Rear Panel Assembly Screws

- 5 Remove the nine 4-40 x 3/16-inch self-locking flathead machine screws that attach the rear panel assembly to the chassis (see Figure 3-6).

NOTE

The screw in the lower-left corner of the rear panel assembly (as viewed from the rear of the Counter) may be covered by the serial-number sticker. If it is, carefully cut away the lower-left corner of the sticker to expose the screw head.

Removing the Rear Panel Assembly

- 6 Disconnect the external-reference input/output cable (coaxial) from connector J8 on the main board. J8 is directly under the back edge of the power supply near the chassis wall.
- 7 A two-wire AC-input cable (brown and blue wires) runs between the AC input module on the rear-panel assembly and the connector that is accessible through the cutout in the front of the power supply enclosure (TB1). Disconnect this cable from the power supply.
- 8 If the Battery Option is installed, there is a two-wire cable (brown and white wires) that runs between the AC input module on the rear panel assembly and connector J3 on the Battery Option circuit board (J3 is the third connector from the back edge of the board). Disconnect this cable from J3 on the Battery Option circuit board.
- 9 Use a 5/16-inch nut driver to remove the self-locking hex nut that attaches the rear panel assembly grounding wire (green/yellow) to the right wall of the chassis. Slide the grounding lug off the welded stud on the chassis wall, and thread the lock nut back onto the stud a few turns until it is finger-tight.
- 10 Use a 7 mm nut driver to remove the two hex standoff screws that attach the GPIB connector to the rear panel assembly.

WARNING

AN ELECTRICAL SHOCK HAZARD EXISTS IF THE COUNTER IS OPERATED WITH THE REAR PANEL ASSEMBLY GROUNDING WIRE NOT PROPERLY CONNECTED TO THE CHASSIS. TO PREVENT SERIOUS INJURY AND/OR DAMAGE TO THE EQUIPMENT, NEVER OPERATE THE COUNTER UNLESS THIS GROUND WIRE IS SECURELY CONNECTED TO THE CHASSIS WALL AND THE REAR PANEL ASSEMBLY.

- 11 Carefully pull the rear panel assembly away from the back end of the chassis. Guide the cables that remain attached to the rear panel assembly as you remove it to prevent them from catching on other cables or other components of the Counter.

CAUTION

When reinstalling the rear panel assembly, position it carefully to avoid damage to the Battery Charging LED, the serial-port connector (RJ-12), the GPIB connector, and the main board. If these components are not correctly aligned with the openings in the back panel, they may be damaged.

Removing the Cooling Fan

Use the following procedure to remove the cooling fan:

- 1 Remove the shroud (see “Removing the Shroud” on page 3-7).
- 2 Disconnect the two-wire cooling-fan power cable (blue and red wires) from J16 on the main board. J16 is the connector that is closest to the rear panel assembly near the right chassis wall and behind the power supply (directly under the fan).
- 3 Use a #1 Phillips screwdriver and a 1/4-inch wrench or nut driver to remove the four 4-40 x 1-inch panhead machine screws and 1/4-inch self-locking hex nuts that attach the cooling fan to the chassis (see Figure 3-7).

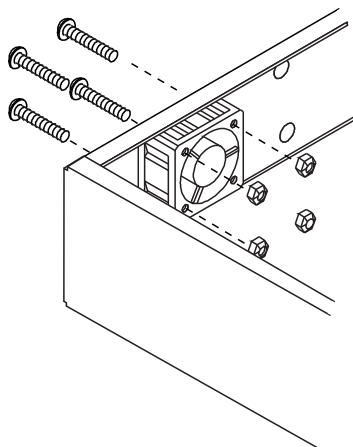


Figure 3-7. Cooling Fan Screws

- 4 While removing the cooling fan from the chassis, guide the cable to be sure it does not catch on other cables or other components of the instrument.

Removing the Power Supply

Use the following procedure to remove the power-supply:

- 1 Remove the shroud (see “Removing the Shroud” on page 3-7).
- 2 Place the rear bumper face-down on your work surface (the portion of the bumper that normally fits around the end of the instrument should be facing up).
- 3 Carefully position the instrument on end with the front panel inserted into the bumper.
- 4 Disconnect the two power-supply connectors (one at the front and one at the rear of the power supply).
- 5 While holding the power supply in position, use a #2 Phillips screwdriver to remove the four countersunk flathead screws that fasten the power supply to the side wall of the chassis (see Figure 3-8).

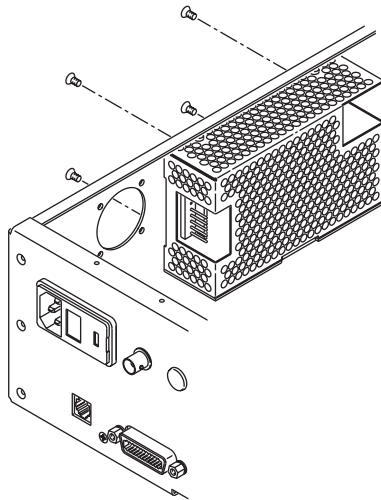


Figure 3-8. Removing the Power Supply

Removing the Power Supply

- 6** Remove the power supply.
- 7** Install the replacement power supply by reversing the instructions in Steps 1 through 6.
- 8** Turn the instrument on, and perform the “Power Supply Check” procedure on page 2-28.
- 9** If necessary, adjust the +5 VDC output of the power supply using the procedure titled “Adjusting the +5 V Output” on page 2-29.
- 10** Reassemble the instrument.

Chapter 3 Replacing Assemblies
Removing the Power Supply

Introduction

This chapter contains parts-ordering information for the Agilent 53147A/148A/149A Counter. Table 4-1 lists the reference designations used in the parts list and throughout this guide, Table 4-2 lists all replaceable assemblies and parts. Figure 4-1 is an exploded view of the Agilent 53147A/148A/149A's internal parts, Figure 4-2 is an exploded view of the cabinet and other external parts, and Figure 4-3 is a top view of the chassis with the shroud removed. These illustrations are provided to help you locate and identify parts.

Replaceable Parts

Table 4-2 contains a list of replaceable parts that is organized as follows:

1. Electrical assemblies in alphanumeric order by reference designation.
2. Chassis-mounted electrical parts in alphanumeric order by reference designation.
3. Chassis-mounted mechanical parts in alphanumeric order by reference designation.

The information given for each part consists of the following:

1. Reference designation.
2. Agilent part number.
3. The quantity (QTY) of the part used in the instrument (field-replaceable items only).
4. Description of the part.
5. Typical manufacturer's part number for the part (when available).

How To Order A Part

Agilent Technologies wants to keep your parts ordering process as simple and efficient as possible. To order parts, perform the following steps:

- 1 Identify the part and the quantity you need.
- 2 Determine the ordering method to be used, and contact Agilent.

If the part you need is *not identified* in this chapter, you can call Agilent for help (see the following section titled “Contacting Agilent”). Please have the following information available when you contact Agilent for help:

- Instrument Model Number (example, “Agilent 53148A”).
- Complete instrument Serial Number (example, “1234A56789”). Information about where to find the serial number is provided in the Preface portion of this guide in the section titled “How to Use This Guide.”
- Description of the part(s) and its use.
- Quantity of the part(s) required.

How To Order A Part

Contacting Agilent Technologies

Depending on where you are in the world, there are one or more ways to obtain parts or parts information from Agilent Technologies.

- Outside the United States, contact your local Agilent Technologies sales office.
- Within the United States, we encourage you to order replacement parts or request parts information directly by telephone or mail from Agilent using the telephone numbers or address listed on the next page. You can also contact your local Agilent sales office. Agilent sales offices are listed near the back of this guide.

By Telephone:

- For Parts Ordering, use our toll-free number, **(800) 227-8164**, Monday through Friday (except Holidays), 6:00 a.m. to 5:00 p.m. (Pacific Time).
- For Parts Identification Assistance, call us at **(916) 783-0804**. Our Parts Identification hours are from 6:00 a.m. to 3:00 p.m. (Pacific Time) on Monday through Thursday and from 6:00 a.m. to 2:00 p.m. (Pacific Time) on Friday.

For Mail Correspondence, please use the address below:

Agilent Technologies, Inc.
P.O. Box 1145
Roseville, CA 95661-1145

Parts Identification

To identify the part(s) you need, refer to the exploded views in Figures 4-1 and 4-2 and the top view of the chassis in Figure 4-3.

When ordering from Agilent Technologies, the important numbers to note from the Parts List are the Agilent Part Number and the quantity of the part(s) you need.

Reference Designations

Table 4-1 lists the reference designations used in the parts lists.

Table 4-1. Reference Designations

A	= assembly	P/O	= part of
H	= hardware	S	= switch
J	= electrical connector (stationary portion); jack	T	= transformer
MP	= miscellaneous mechanical part	TP	= test point
P	= electrical connector (movable portion); plug	U	= integrated circuit; microcircuit
		W	= cable; transmission path; wire

Cabinet Parts and Hardware

To locate and identify cabinet and external parts and mounting hardware, refer to Figure 4-2 (internal parts and mounting hardware are shown in Figure 4-1). These figures provide different views of the instrument, with the parts identified by reference designations; the reference designations correspond with the ones in Table 4-2.

Accessories and Miscellaneous Items

Table 4-3 lists all of the accessories available for the Counter and also lists some other miscellaneous items, such as power cords, rack mounts, and manuals.

Chapter 4 Replaceable Parts
Parts Identification

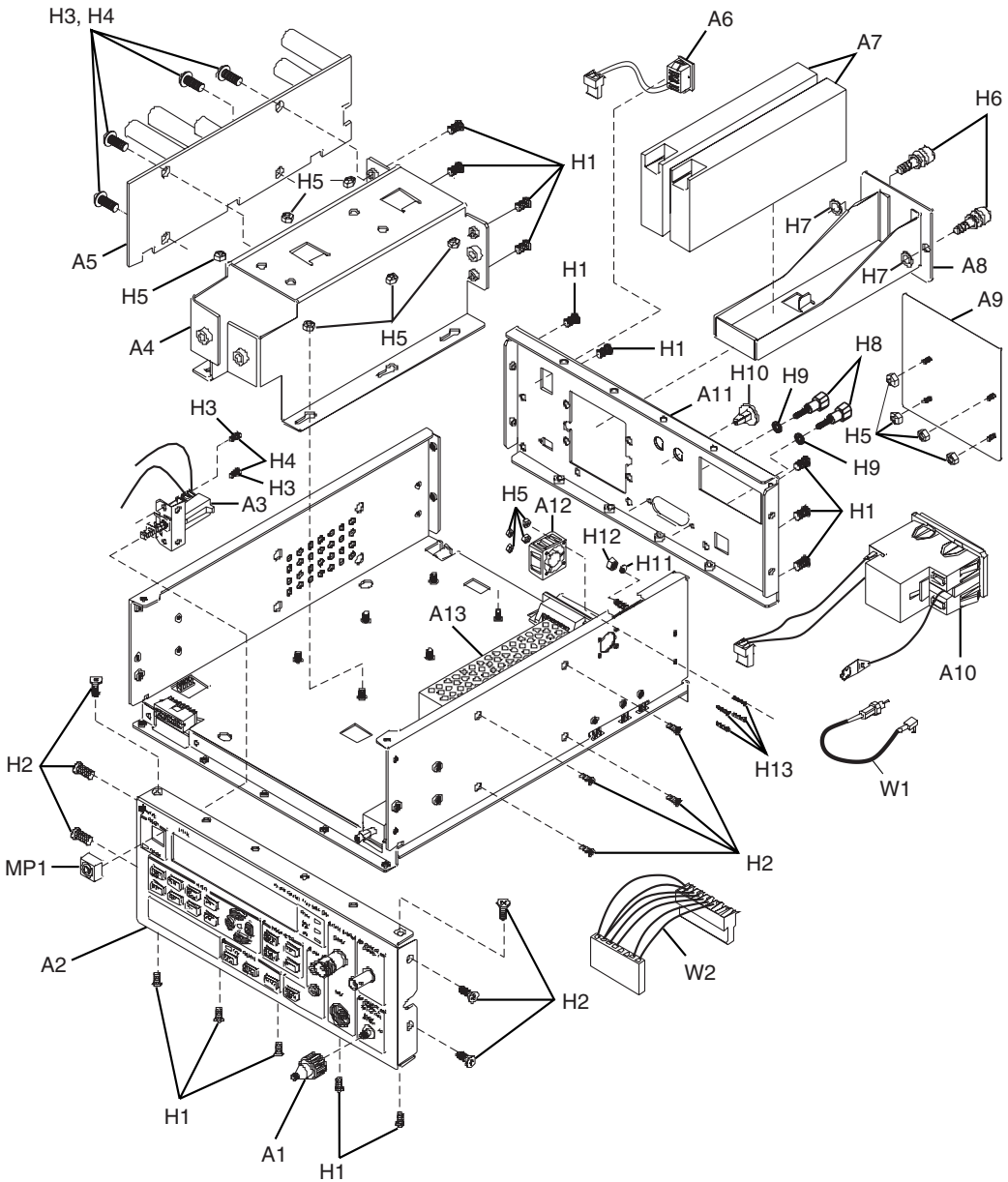


Figure 4-1. Agilent 53147A/148A/149A Exploded View — Internal Parts

Chapter 4 Replaceable Parts
Parts Identification

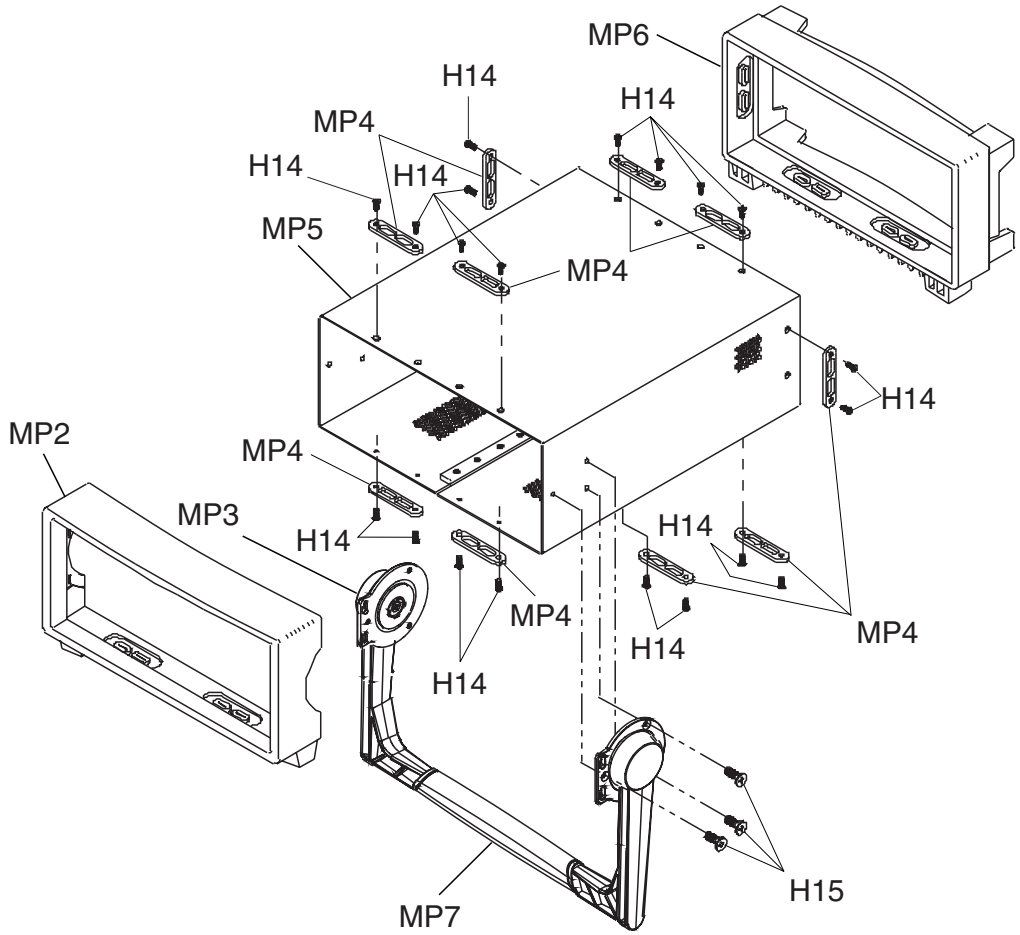
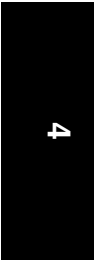


Figure 4-2. Agilent 53147A/148A/149A Exploded View — Cabinet and External Parts



Chapter 4 Replaceable Parts
Parts Identification

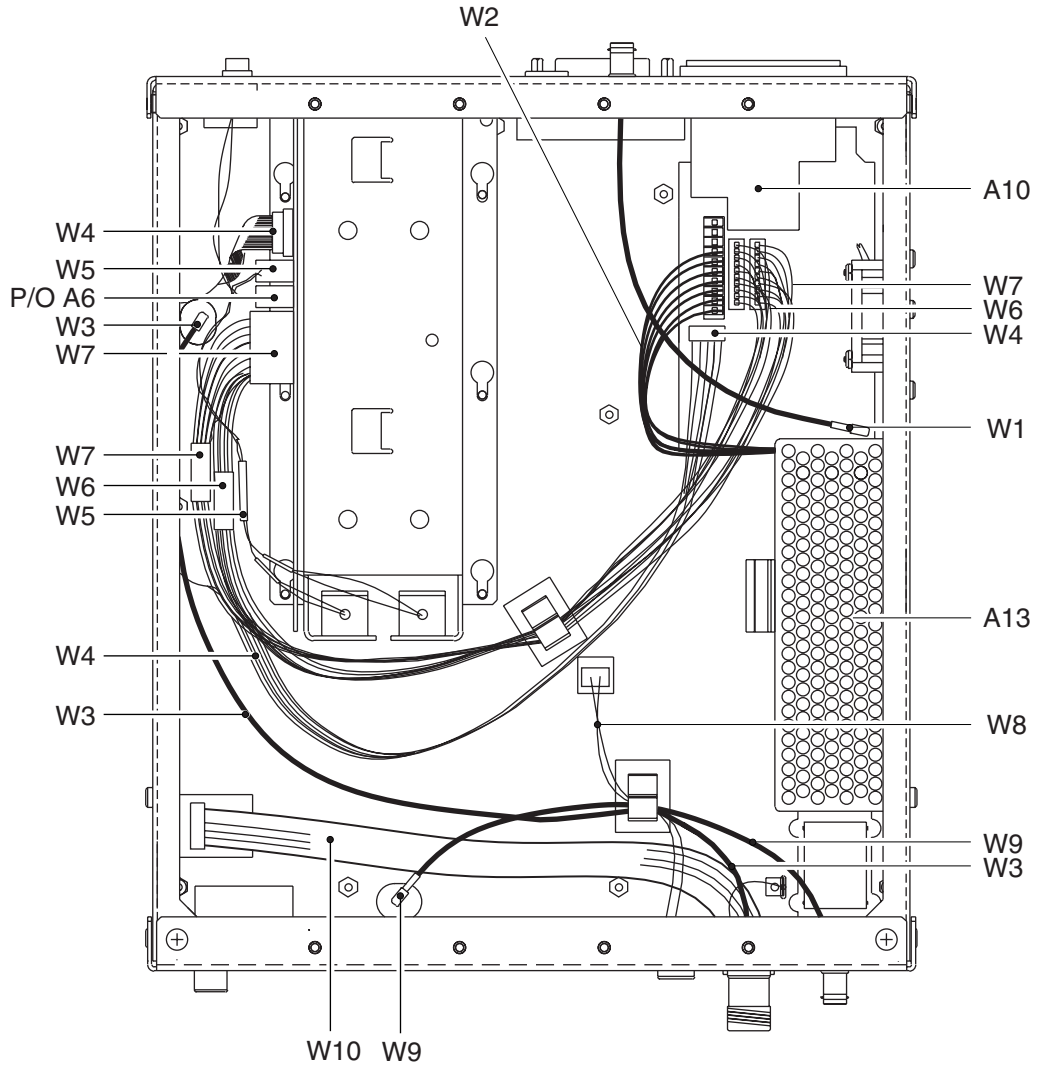


Figure 4-3. Agilent 53147A/148A/149A Top View

Chapter 4 Replaceable Parts
Parts Identification

ASX

Table 4-2. Agilent 53147A/148A/149A Replaceable Parts

Reference Designation	Agilent Part Number	Qty.	Description	Mfr. Part Number
A1	53152-80001	1	ADAPTER, 2.92 mm FEMALE ¹	2610181-00
A2 (53147A)	53147-60207	1	PANEL ASSY, FRONT (53147A)	2011509-01
A2 (53148A)	53148-60207	1	PANEL ASSY, FRONT (53148A)	2011510-01
A2 (53149A)	53149-60207	1	PANEL ASSY, FRONT (53149A)	2011511-01
A3	53147-20203	1	SWITCH ASSY, FRONT PANEL POWER	4540015-00
A4	53150-00002	1	HOUSING ASSY, BATTERY ²	5211156-01
A5	53150-60004	1	DC/DC CONVERTER PCB ²	2020543-04
A6	53147-60223	1	SWITCH ASSY, BATTERY ²	2041107-01
A7	53150-80010	2	BATTERY, LEAD-ACID, RECHARGEABLE ²	5000410-00
A8	53150-00004	1	SLED ASSY, BATTERY ²	5218025-01
A9	53150-00003	1	COVER, BATTERY OPENING ³	5218019-01
A10	53147-40007	1	POWER ENTRY MODULE ASSY.	2011513-01
A11	53147-60219	1	PANEL ASSY, REAR	5218104-01
A12	53147-80012	1	FAN, COOLING	2011514-01
A13	0950-3299	1	POWER SUPPLY ASSY, 45 W	2011156-01
H1	2200-0165	18 ⁴	SCREW, FLATHEAD, SELF-LOCKING, 4-40x1/4	5140004-04
H2	2360-0192	10	SCREW, FLATHEAD, 6-32x1/4	5144006-04
H3	2190-0004	6	WASHER, LOCK, #4 (USE WITH H4)	—
H4	2200-0139	6	SCREW, PANHEAD, 4-40x5/16	5174004-04
H5	0590-0076	10	NUT, HEX, SELF-LOCKING, 4-40 ⁴	5184004-40
H6	1390-0832	2	SCREW, KNURLED HEAD, CAPTIVE, W/WASHER ²	5110101-00
H7	1390-0473	2	WASHER, RETAINING (USE WITH H6) ²	5000420-00
H8	0380-0643	2	SCREW, HEX STANDOFF, 6-32	—
H9	2190-0007	2	WASHER, LOCK, #6	—
H10	6960-0045	1	HOLE PLUG, REAR PANEL	5000246-00

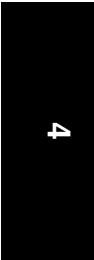
¹ 53149A only

² With Option 002 only

³ Without Option 002

⁴ Qty. = 8 without Option 002

⁵ Part of A10



Chapter 4 Replaceable Parts
Parts Identification

Table 4-2. Agilent 53147A/148A/149A Replaceable Parts (Continued)

Reference Designation	Agilent Part Number	Qty.	Description	Mfr. Part Number
H11	3050-0010	1	WASHER, FLAT, #6	—
H12	0590-0157	1	NUT, HEX, SELF-LOCKING, 6-32	5000046-00
H13	2200-0155	4	SCREW, PANHEAD, 4-40x1	5120004-16
H14	2200-0143	20	SCREW, FLATHEAD, 4-40x3/8	5174004-04
H15	0515-1101	6	SCREW, TORX, FLATHEAD, m4x8	5138007-01
MP1	53150-40008	1	SWITCH CAP, FRONT PANEL POWER	5230012-00
MP2	53147-40001	1	BUMPER, FRONT	5230016-01
MP3	53147-40005	2	MOUNT, HANDLE	5230015-01
MP4	53147-40010	10	RETAINER, BUMPER	5230018-01
MP5	53147-00001	1	SHROUD	5218106-01
MP6	53147-40002	1	BUMPER, REAR	5230017-01
MP7	53147-40013	1	HANDLE ASSY.	2011508-01
MP8	53147-40011	1	JACK, BANANA, RED, DVM INPUT	2640038-01
MP9	53147-40012	1	JACK, BANANA, BLACK, DVM INPUT	2640039-01
W1	53150-60210	1	CABLE ASSY, COAXIAL, 10 MHz I/O	2041086-02
W2	53147-60224	1	CABLE ASSY, HARNESS, OUTPUT, DC SUPPLY	2041083-01
W3	53147-60221	1	CABLE ASSY, COAXIAL, OUTPUT, POWER REFERENCE	5450030-01
W4	53150-60213	1	CABLE ASSY, RIBBON, STATUS INTERFACE ²	2041092-01
W5	53150-60208	1	CABLE ASSY, HARNESS, INTERCONNECT, BATTERY ²	2041088-01
W6	53150-60212	1	CABLE ASSY, HARNESS, RETURN ²	2041087-02
W7	53150-60211	1	CABLE ASSY, HARNESS, INTERCONNECT ²	2041087-01
—	—	1	CABLE ASSY, HARNESS, INTERCONNECT ⁵	2041082-01
W8	53147-60222	1	CABLE ASSY, HARNESS, INPUT, DVM	2041108-01
W9	53150-60216	1	CABLE ASSY, COAXIAL, INPUT, BAND 1	2041086-01
W10	53147-60220	1	CABLE ASSY, RIBBON, INPUT, POWER METER	5450031-01

¹ 53149A only

² With Option 002 only

³ Without Option 002

⁴ Qty. = 8 without Option 002

⁵ In Counters without Option 002, this harness is used in place of W6 and W7.

Chapter 4 Replaceable Parts
Parts Identification

Table 4-3. Agilent 53147A/148A/149A Accessories and Miscellaneous Items

Description	Agilent Part Number
BATTERY 12 V	53150-80010
CABLE ASSY, EXT. DC POWER	53150-60214
GPIB CABLES	10833A/B/C/D
TEST LEAD KIT, DVM	34132-37904
CABLE ASSY, POWER (AUSTRALIA)	8120-0696
CABLE ASSY, POWER (CANADA)	8120-1692
CABLE ASSY, POWER (DENMARK)	8120-2957
CABLE ASSY, POWER (ENGLAND)	8120-1703
CABLE ASSY, POWER (GERMANY)	8120-2296
CABLE ASSY, POWER (JAPAN)	8120-4754
CABLE ASSY, POWER (S. AFRICA)	8120-4600
CABLE ASSY, POWER (USA)	8120-1521
CABLE ASSY, RS-232, DB-25/RJ-12	53150-60215
CARRYING CASE, SOFT	53147-80016
CHARGER, BATTERY, 115 V (INCLUDES AUTOMOTIVE POWER ADAPTER)	53150-60217
CHARGER, BATTERY, 230 V (INCLUDES AUTOMOTIVE POWER ADAPTER)	53150-60218
FUSE 1.0 A 250 V TD	2110-0007
GUIDE, OPERATING AND PROGRAMMING	53147-90009
GUIDE, ASSEMBLY-LEVEL SERVICE	53147-90010
RACK MOUNT KIT	53147-67001

Chapter 4 Replaceable Parts
Parts Identification

Introduction

Since this is the first edition of this guide, this chapter does not contain any information for adapting this guide to apply to older instruments.

As engineering changes are made, newer instruments may have higher serial prefix numbers than the ones shown on the title page of this guide. These instruments may be supplied with a *Manual Updating Changes* package containing the required information, or they may be supplied with newer editions of this guide that contain information about adapting that edition of this guide to older instruments.

If a *Manual Updating Changes* package is included with your Counter, modify existing guide information or replace the affected pages as directed in the pages of the *Manual Updating Changes* package. For additional information, contact the nearest Agilent Sales and Support Office.

6

Specifications

Introduction

The specifications for the Agilent 53147A, 53148A, and 53149A are provided in this chapter.

Introduction

Measurement Specifications and Characteristics

All measurement specifications are over the full signal and temperature ranges unless otherwise noted. All specifications are warranted. Those items labeled “typical” or “nominal” are characteristics and are not warranted.

9

Input Characteristics	53147A	53148A	53149A
Frequency Range Channel 1 (Normal mode) (Low pass filter enabled) Channel 2	10 Hz–125 MHz 10 Hz–50 kHz 50 MHz–20 GHz	10 Hz–125 MHz 10 Hz–50 kHz 50 MHz–26.5 GHz	10 Hz–125 MHz 10 Hz–50 kHz 50 MHz–46 GHz
Sensitivity Channel 1 10–30 Hz 30 Hz–125 MHz Channel 2 50–300 MHz 0.3–12.4 GHz 12.4–18 GHz 18–20 GHz 20–26.5 GHz 26.5–40 GHz 40–46 GHz	40 mV rms 25 mV rms –20 dBm –33 dBm –33 dBm –29 dBm N/A N/A N/A	40 mV rms 25 mV rms –20 dBm –33 dBm –33 dBm –29 dBm –25 dBm N/A N/A	40 mV rms 25 mV rms –20 dBm –33 dBm –30 dBm –27 dBm –27 dBm –23 dBm –17 dBm
Maximum Input Channel 1 Channel 2 50 MHz–2 GHz 2–46 GHz	2 V _{rms} +5 dBm +13 dBm	2 V _{rms} +5 dBm +13 dBm	2 V _{rms} +5 dBm +13 dBm
Damage Level Channel 1 Channel 2	120 V (dc + ac pk) linearly derated to 5 V _{rms} at 125 MHz +27 dBm	120 V (dc + ac pk) linearly derated to 5 V _{rms} at 125 MHz +27 dBm	120 V (dc + ac pk) linearly derated to 5 V _{rms} at 125 MHz +27 dBm
Impedance (Nominal) Channel 1 Channel 2	1 MΩ/ 60 pF 50 Ω	1 MΩ/ 60 pF 50 Ω	1 MΩ/ 60 pF 50 Ω
Connector Channel 1 Channel 2	BNC female SMA/APC-3.5 compatible female	BNC female SMA/APC-3.5 compatible female	BNC female 2.92 mm removable, SMA/APC-3.5 compatible female
SWR Channel 2 50–300 MHz 0.3–10 GHz 10–20 GHz 20–26.5 GHz 26.5–46 GHz	1.5:1 typical 2.0:1 typical 3.0:1 typical N/A N/A	1.5:1 typical 2.0:1 typical 3.0:1 typical 3.0:1 typical N/A	1.5:1 typical 2.0:1 typical 3.0:1 typical 2.5:1 typical 2.5:1 typical
Coupling Channel 1 Channel 2	ac ac	ac ac	ac ac

Chapter 6 Specifications

Introduction

6

Input Characteristics (continued)	53147A	53148A	53149A
Emissions (typical) ("kickback noise") Channel 1 Channel 2 (measuring/no input)	N/A -40 dBm/<-70 dBm	N/A -40 dBm/<-70 dBm	N/A -40 dBm/<-70 dBm
Resolution selection Channel 1/Channel 2	1 Hz to 1 MHz	1 Hz to 1 MHz	1 Hz to 1 MHz
Accuracy Channel 1/Channel 2 (LSD=Resolution selected)	±1 LSD ± residual stability ± timebase error x frequency	±1 LSD ± residual stability ± timebase error x frequency	±1 LSD ± residual stability ± timebase error x frequency
Residual Stability* Channel 1 Channel 2 *Counter and source tied to same timebase	N/A 0.6 LSD rms	N/A 0.8 LSD rms	N/A 1.25 LSD rms
Measurement Time (typical) Channel 1 Channel 2	1/Resolution +30 ms 1/Resolution + Acquisition time + 30 ms	1/Resolution +30 ms 1/Resolution + Acquisition time + 30 ms	1/Resolution + 30 ms 1/Resolution + Acquisition time + 30 ms
Acquisition Time (typical) (1 MHz FM rate, power meter off) Channel 1 Channel 2 (FM Auto/FM Off)	N/A 150 ms/125 ms	N/A 150 ms/125 ms	N/A 165 ms/140 ms
FM Tolerance Channel 1 Channel 2 (FM Auto) (FM Off)	N/A 20 MHz p-p max @ 10 MHz rate 1 MHz p-p @ 10 MHz rate	N/A 20 MHz p-p max @ 10 MHz rate 1 MHz p-p @ 10 MHz rate	N/A 20 MHz p-p max to 26.5 GHz, 12 MHz p-p max above 26.5 GHz @ 10 MHz rate 1 MHz p-p @ 10 MHz rate
AM Tolerance Channel 1, Channel 2	Any index provided minimum signal level is not less than sensitivity	Any index provided minimum signal level is not less than sensitivity	Any index provided minimum signal level is not less than sensitivity
Amplitude Discrimination Channel 1 Channel 2 below 300 MHz above 300 MHz	N/A N/A Automatically measures the largest signal present provided signal is >10 dB (typical) above any signal separated by less than 75 MHz; >20 dB (typical) above any signal separated by more than 75 MHz	N/A N/A Automatically measures the largest signal present provided signal is >10 dB (typical) above any signal separated by less than 75 MHz; >20 dB (typical) above any signal separated by more than 75 MHz	N/A N/A Automatically measures the largest signal present provided signal is >10 dB (typical) above any signal separated by less than 75 MHz; >20 dB (typical) above any signal separated by more than 75 MHz
Timebase Frequency Output External timebase input Connector Internal timebase stability Aging rate per day Aging rate per month Short term (1 sec. average time) Line variation (± 10%) Warm-up Temperature stability (0-55°C)	10 MHz 10 MHz sine wave, 1 Vrms into 50Ω 1, 2, 5, 10 MHz, 1 to 5 Vrms into 50Ω BNC female located on rear panel TCX0 (standard) N/A <1 X 10 ⁻⁷ <1 X 10 ⁻⁹ <1 X 10 ⁻⁷ N/A <1 X 10 ⁻⁶	 Oven (Option 001) <5 X 10 ⁻¹⁰ <1.5 X 10 ⁻⁸ <2 X 10 ⁻¹⁰ <1 X 10 ⁻¹⁰ <1 X 10 ⁻⁸ within 5 min. after turn-on at 25°C <1 X 10 ⁻⁸	

Chapter 6 Specifications

Introduction

Power Meter Specifications

53147A, 53148A, and 53149A

Frequency range	100 kHz to 50 GHz, sensor dependent
Power range	-70 to +44 dBm, sensor dependent
Power sensors supported	8480 series (8487A, 8485A, 8482A, 8481D, 8481A, 8481B, 8482B, 8481H, 8482H, 8485D, 8487D)
Resolution	0.01 dB in log mode, 0.1% of full scale in linear mode
Display units	
Absolute	dBm or Watts
Relative	dB or %
Accuracy	
Instrumentation	± 0.02 dB or ± 0.5%, add power sensor linearity specification for overall system accuracy
Zero set (digital setting capability of zero)	Sensor dependent (see Available sensors table on page 6-6)
Power reference	
Power output	1.00 mW, factory set to ± 0.7%, traceable to NIST
Accuracy	± 1.2% worst case (± 0.9 RSS) for one year
Frequency	50 MHz (nominal)
Connector	N (f)

DVM Specifications

53147A, 53148A, and 53149A

Function	DC volts
Range	± 50 Vdc
Resolution	2 mV
Accuracy	± 0.25% of reading ± 10 mV
Damage level	± 60 Vdc
Input resistance	0.5 MΩ (nominal)
Connector	4 mm banana sockets
Display	Replaces frequency display when DVM is activated

General information

53147A, 53148A, and 53149A

Save and recall	Up to 9 complete instrument setups may be saved and later recalled. These setups are retained when power is removed
Sample rate	User-selectable fast (nominally 20 ms between readings), medium (nominally 250 ms between readings), slow (nominally 1 s between readings) and hold
Counter gate time	1/Resolution selected
Math functions	
Offset (relative/fixed)	Last reading and/or entered offset to reading for either power or frequency
Averaging	1 to 99 measurement running average
Display	Backlit LCD. Backlight can be turned on or off via front panel control
Sleep mode (Option 002 only)	Backlight automatically shuts off if no input signal and power sensor present, and no keys pressed, for 5 minutes (nominal)
Self test	Counter and power-meter circuitry and internal memory automatically tested at startup, via menu selection, or remotely. Error messages displayed to indicate failed tests.
Programming	
Interface	GPIB (IEEE-488.1-1987, IEEE 488.2-1987) and RS-232
Language	SCPI-1992.0 (Standard Commands for Programmable Instruments)
RS-232 Rates	User selectable 2400 to 19200 baud

Chapter 6 Specifications

Introduction

General information (continued)	53147A, 53148A, and 53149A
Power Supply ac Line selection Power requirements dc (Option 002 only) Battery (Option 002) Type Charge Time Capacity Size Operating temperature Weight (nominal) Safety EMC Accessories Supplied Available Power sensors Spare battery DC power input cable	90-132 Vac; 47.5-66 Hz or 360-440 Hz 216-264 Vac; 47.5-66 Hz automatic 80 VA max. (32 W typical) 11-18 Vdc; 2A max. VHS camcorder, lead acid (2 each) 8 hours in unit (typical) 2 hours min. at 25° C 330 mm W x 156 mm H x 376 mm D with bumpers and handles. Rack panel is full EIA width and 3U ISO height. 0-55° C, 0-40° C with battery option 4.5 kg without battery option, 6.6 kg with battery option Designed in compliance with IEC-1010, CAN/CSA 1010.1 Designed in compliance with IEC-11, EN50082-1, IEC801-2, -3, -4 Power sensor cable (11730A); DVM test leads (34132B); operating/programming and service manuals; ac power cord 8480 series (see table below) 53150-80010 53150-60214

Available sensors	Frequency Range	Connector	Zero Set
25 Watt sensors 1 mW to 25 W (0 to +44 dBm) 8481B 8482B	10 MHz to 18 GHz 100 kHz to 4.2 GHz	N (m) N (m)	±50 μW ±50 μW
3 Watt sensors 100 μW to 3 W (-10 to +35 dBm) 8481H 8482H	10 MHz to 18 GHz 100 kHz to 4.2 GHz	N (m) N (m)	±5 μW ±5 μW
100 mW sensors 1 μW to 100 mW (-30 to +20 dBm) 8485A 8485A Option 033 8481A 8482A 8487A	50 MHz to 26.5 GHz 50 MHz to 33 GHz 10 MHz to 18 GHz 100 kHz to 4.2 GHz 50 MHz to 50 GHz	APC-3.5 mm (m) APC-3.5 mm (m) N (m) N (m) 2.4 mm (m)	±50 nW ±50 nW ±50 nW ±50 nW ±50 nW
High sensitivity sensors 100 pW to 10 μW (-70 to -20 dBm) 8481D 8485D 8485D Option 033 8487D	10 MHz to 18 GHz 50 MHz to 26.5 GHz 50 MHz to 33 GHz 50 MHz to 50 GHz	N (m) APC-3.5 mm (m) APC-3.5 mm (m) 2.4 mm (m)	±20 pW ±20 pW ±20 pW ±20 pW

A

Rack Mounting the Instrument

Rack Mounting the Instrument

Rack Mounting the Instrument

You can mount the Agilent 53147A, 53148A or 53149A in a standard 19-inch rack using the optional Rack Mounting Kit (53147-67001) available from Agilent:

To rack-mount the instrument, you must first remove the front bumper, the front bumper retainers, and the carrying handle. Use the following procedure to prepare the instrument for rack-mounting:

NOTE

Unlike the hardware used elsewhere in this instrument, all hardware used to attach the handle pivots and the rack mounts to the instrument is metric.

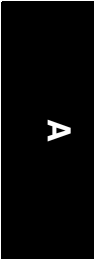
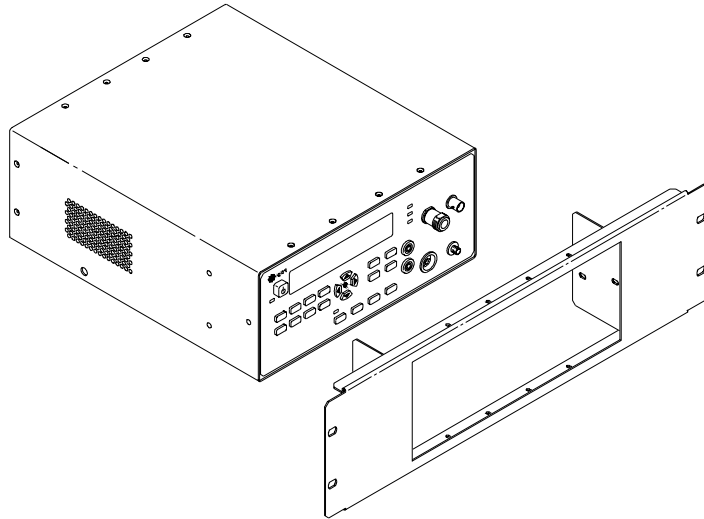
- 1 Remove the front bumper by lifting the inner edge of the bumper away from the shroud near one corner at the top and one side and pulling that corner away from the instrument. Repeat the process with the remaining corners until the bumper is free of the instrument.



- 2 Pull out on both sides of the handle at the handle pivots, and rotate the handle towards the top of the instrument until the handle is touching the top of the shroud.
- 3 Use a T15 Torx™ tool to remove the three screws that attach each of the handle pivots to the sides of the instrument, and remove the handle.
- 4 Use a #1 Phillips™ screwdriver to remove the two screws that attach each of the front bumper retainers to the top and bottom of the instrument (there are four front bumper retainers—two each on the top and bottom).

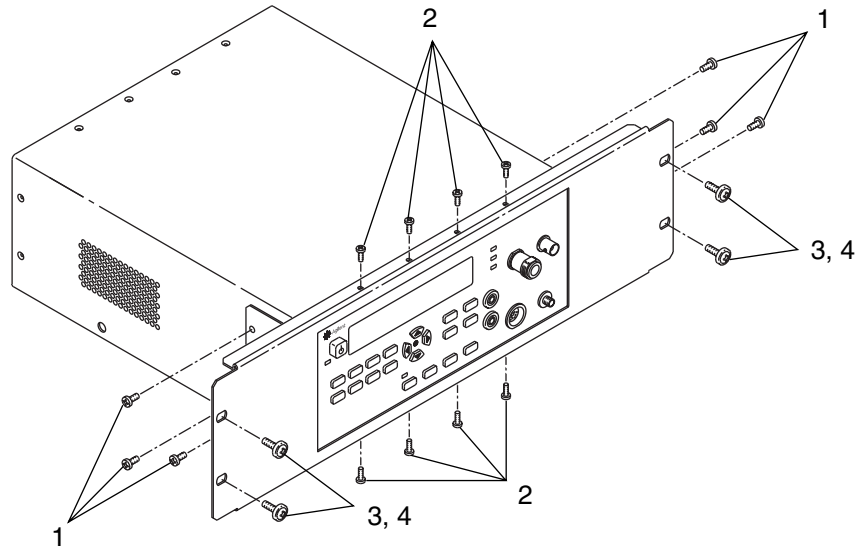
Rack Mounting the Instrument

- 5 Position the rack-mount panel (53147-60211) on the front of the instrument so that the four holes in the top and bottom of the rack-mount panel are aligned with the four threaded holes in the top and bottom of the instrument (the holes that were used to mount the front bumper retainers).



Rack Mounting the Instrument

- 6 Insert the eight 3/8-inch x 4-40, pan-head Phillips screws (2) supplied in the Rack Mount Kit through the holes in the top and bottom of the rack-mount panel into the threaded holes in the top and bottom of the instrument. Start the screws, but do not tighten them at this time.



- 7 Insert the six 10mm long, 4 mm x .7, pan-head Torx screws (1) supplied in the Rack Mount Kit through the holes in the side flanges of the rack-mount panel and tighten them fully.
- 8 Tighten the eight screws you inserted in Step 6.

NOTE

You can use angle brackets to help support the instrument in the rack and to make it easier to mount the instrument.

- 9 Place the four Nylon washers supplied in the Rack Mount Kit over the four 10-32 screws (3, 4).
- 10 Inspect the holes in the rack to determine if they are threaded. If the holes are threaded, skip Step 11.

Rack Mounting the Instrument

- 11** Insert the four sheet-metal U-nuts provided in the Rack Mount Kit in the rack flange behind the four holes you intend to use to mount the instrument.
- 12** While holding the instrument in position in the rack, insert one of the 10-32 screws with the Nylon washer on it (3,4) through one of the upper holes in the rack-mount panel into the threaded hole in the rack (or into the U-nut you installed in Step 11 if the hole is not threaded).
- 13** Repeat the procedure in Step 12 for the remaining upper rack-mount hole and the two lower rack-mount holes.
- 14** Tighten all four rack-mount screws.
- 15** Connect the power cord to the Main ~ Power input connector on the instrument's rear panel.
- 16** Connect the other end of the power cord to an appropriate AC power source.

Appendix A Rack Mounting the Instrument
Rack Mounting the Instrument

A

Index

Numerics

- +5 VDC, 2-29
- 10 MHz Timebase Calibration, 2-7
- 22 GHz to 26.5 GHz Frequency
 - Sensitivity, 1-25
- 30 GHz to 46 GHz Frequency
 - Sensitivity, 1-26
- 50 MHz to 125 MHz Frequency
 - Sensitivity, 1-20
- 50 MHz to 20 GHz Frequency
 - Sensitivity, 1-23

A

- Accessories, 4-11
 - Available, viii
 - Supplied, vii
- Accessories and Miscellaneous
 - Items, 4-5
- address, 4-4
- adjusting the +5 VDC output, 2-29
- Assemblies, iv, 3-1, 3-2, 4-2
- Assembly Identification, 2-26

B

- Backdating, 5-1
- Bumpers, 3-4

C

- cabinet, 4-2, 4-7
- Cabinet Parts and Hardware, 4-5
- calibration, 1-3, 2-6
- calibration procedure, 2-6
- Calibration Procedures, 2-6
- calibration procedures, 2-6
- Channel 1 Frequency Sensitivity, 1-18
- Complete Performance Tests, 1-2, 1-3, 1-17, 1-39
- Contacting Agilent Technologies, 4-4
- Cooling Fan, 3-14
- correspondence, 4-4

D

- DC Power Supply Assembly, 2-28
- Description of the Counter, vi

E

- electrostatic discharge, 2-24
- Emergency Response, 2-3
- equipment, 2-24
- Equipment Required, 1-4, 2-6
- Error Messages, 2-31, 2-32
 - 12V FAIL, 2-32, 2-33
 - 12V FAIL, 2-32, 2-33
 - 5V FAIL, 2-32, 2-33
 - ADC FAIL, 2-32, 2-33
 - ECP WRT FAIL, 2-32
 - FPANEL FAIL, 2-32
 - FPGA FAIL, 2-32, 2-33
 - GPIB FAIL, 2-32, 2-33
 - HET PATH FAIL, 2-32
 - IIC FAIL, 2-32, 2-33
 - INSTCFG FAIL, 2-32, 2-33
 - OVERTEMP, 2-32
 - PATH FAIL, 2-32
 - PWR CAL FAIL, 2-32, 2-33
 - PWR CKT FAIL, 2-32
 - RAM FAIL, 2-32, 2-33
 - SAV SET FAIL, 2-32, 2-33
 - SERVICE FAIL, 2-32, 2-33
 - THRS FAIL, 2-32
 - THRS HET, 2-32
 - THRS THRU, 2-32
 - THRU FAIL, 2-32
 - VCO/CNT FAIL, 2-32
- Exploded View, 4-2, 4-5, 4-6, 4-7
- Express Calibration Service, iii, 2-3
- external parts, 4-2
- External Timebase Tests, 1-10

Index

F

fan, 1-6
Frequency Sensitivity, 1-18, 1-20, 1-23,
1-25, 1-26, 1-39, 1-40
Front Panel at a Glance, 1-2

H

Handle, 3-5
How To Order A Part, 4-3

I

Instrument Identification, iv
Instrument Service Division, 2-3
Internal Parts, 4-6
internal parts, 4-2
ISD, 2-3

M

Manual Updating Changes, 5-2
Manuals
 supplied, viii
measurement functions, vi
Messages, 2-33
messages, 2-31, 2-32
Miscellaneous Items, 4-11

O

Operational Verification, 1-2, 1-39
Options, vii
 Hardware, vii
ordering parts, 4-3

P

Packing the Counter in Commercially
 Available Packaging Materials, 2-4
Packing the Counter in the Original
 Packaging Materials, 2-4
Parts, 4-1, 4-6, 4-7, 4-9, 4-10
Parts Identification Assistance, 4-4
Parts Ordering, 4-4
parts ordering, 4-3
parts-ordering information, 4-2

Performance Test Record, 1-3, 1-39
performance test record, 1-39
Power Measurement, 1-27
power reference oscillator, 2-6
Power Supply Assembly, 2-28

R

Rack Mounting the Counter, A-2
Rear Panel Assembly, 3-11
Recommended Calibration Cycle, 1-3
Reference Designations, 4-5
reference designations, 4-2
Removing the Bumpers, 3-4
Removing the Cooling Fan, 3-14
Removing the Cover, 3-7
Removing the Handle and the
 Handle Mounts, 3-6
Removing the Rear Panel Assembly, 3-9
Removing the Shroud, 3-7
repair, iii
replaceable assemblies, 4-2
Replaceable Parts, 4-1, 4-9
replaceable parts, 4-2
Replacing Assemblies, iv, 3-1
required equipment, 1-4, 2-6
Returning the Counter for Service, 2-3
Returning the Counter to Agilent
 Technologies for Service, 2-3
RS-232, 2-31, 2-32, 2-33
RS-232 Error Messages, 2-33

S

safety, 2-23
Self-Test, 2-30, 2-31
Serial Number, 4-3
serial number, iv
service, iii, 2-1
Shroud, 3-7
Specifications, 1-39
specifications, 1-3, 1-17
Standby mode, 1-6
surface-mount components, 2-25

Index

T

- Test 1
 - Channel 1 Frequency Sensitivity, 1-18
- Test 1a
 - 10 Hz to 20 MHz Frequency Sensitivity, 1-18
- Test 1b
 - 50 MHz to 125 MHz Frequency Sensitivity, 1-20
- Test 2
 - Channel 2 Frequency Sensitivity, 1-23
- Test 2a
 - 50 MHz to 20 GHz Frequency Sensitivity, 1-23
- Test 2b
 - 22 GHz to 26.5 GHz Frequency Sensitivity, 1-25
- Test 2c
 - 30 GHz to 46 GHz Frequency Sensitivity, 1-26
- Test 3
 - Channel 2 Power Measurement, 1-27

- test equipment, 2-24
- test record, 1-39
- timebase, 1-6, 2-6
- toll-free number, 4-4
- Tools, 3-3
- Tools Required, 3-3
- Top View, 4-8
- top view, 4-2
- troubleshooting, 2-23, 2-28
- Troubleshooting the Counter, 2-28

W

- warranty, 2-25



Service and Support

Contacting Agilent Technologies:

For more information about Agilent test and measurement products, applications, and services, visit our web site at <http://www.agilent.com/services/English/index.html>.

Agilent's Test and Measurement Fax Service for United States and Canada:

Technical information for test and measurement products and services is available 24 hours a day, 7 days a week, by calling **1-800-800-5281**.

Technical Support:

If you need technical assistance with an Agilent test and measurement product or application, you can find a list of local service representatives on the web site listed above. If you do not have access to the Internet, one of the following centers can direct you to your nearest representative:

Asia Pacific:

Hong Kong, SAR

Tel: (852) 2599-7777
Fax: (852) 2506-9284

Australia/New Zealand:

Blackburn, Victoria, Australia

Tel: 1-800-629-485 (Australia)
Tel: 0-800-738-378 (New Zealand)
Fax: (61-3) 9272-0749

Canada:

Mississauga, ON, Canada

Tel: 877-894-4414
Fax: (905) 206-4700

Europe:

European Marketing Organisation
The Netherlands

Tel: +31 20 547 9999
Fax: +31 20 547 7799

Japan:

Measurement Assistance Center
Tokyo, Japan

Tel: 81-426-56-7832
Fax: 81-426-56-7843

Latin America:

Latin America Region Headquarters
Miami, FL, U.S.A.

Tel: (305) 267-4245
Fax: (305) 267-4288

United States:

Test & Measurement Call Center
Englewood, CO, U.S.A.

Tel: (800) 452-4844
Fax: (303) 662-3726

Continued from front matter. . .

Warranty (cont'd)

Agilent does not warrant that the operation of Agilent products will be uninterrupted or error free. If Agilent is unable, within a reasonable time, to repair or replace any product to a condition as warranted, customer will be entitled to a refund of the purchase price upon prompt return of the product.

Agilent products may contain remanufactured parts equivalent to new in performance or may have been subjected to incidental use.

The warranty period begins on the date of delivery or on the date of installation if installed by Agilent. If customer schedules or delays Agilent installation more than 30 days after delivery, warranty begins on the 31st day from delivery.

Warranty does not apply to defects resulting from
(a) improper or inadequate maintenance or calibration,
(b) software, interfacing, parts or supplies not supplied by Agilent, (c) unauthorized modification or misuse,
(d) operation outside of the published environmental specifications for the product, or
(e) improper site preparation or maintenance.

TO THE EXTENT ALLOWED BY LOCAL LAW, THE ABOVE WARRANTIES ARE EXCLUSIVE AND NO OTHER WARRANTY OR CONDITION, WHETHER WRITTEN OR ORAL, IS EXPRESSED OR IMPLIED AND AGILENT SPECIFICALLY DISCLAIMS ANY IMPLIED WARRANTIES OR CONDITIONS OF MERCHANTABILITY, SATISFACTORY QUALITY, AND FITNESS FOR A PARTICULAR PURPOSE.

Agilent will be liable for damage to tangible property per incident up to the greater of \$300,000 or the actual amount paid for the product that is the subject of the claim, and for damages for bodily injury or death, to the extent that all such damages are determined by a court of competent jurisdiction to have been directly caused by a defective Agilent product.

TO THE EXTENT ALLOWED BY LOCAL LAW, THE REMEDIES IN THIS WARRANTY STATEMENT ARE CUSTOMER'S SOLE AND EXCLUSIVE REMEDIES. EXCEPT AS INDICATED ABOVE, IN NO EVENT WILL AGILENT OR ITS SUPPLIERS BE LIABLE FOR LOSS OF DATA OR FOR DIRECT, SPECIAL, INCIDENTAL, CONSEQUENTIAL (INCLUDING LOST PROFIT OR DATA), OR OTHER DAMAGE, WHETHER BASED IN CONTRACT, TORT, OR OTHERWISE.

For consumer transactions in Australia and New Zealand: the warranty terms contained in this statement, except to the extent lawfully permitted, do not exclude, restrict or modify and are in addition to the mandatory statutory rights applicable to the sale of this product to you.

Assistance

Product maintenance agreements and other customer assistance agreements are available for Agilent products.

For any assistance, contact your nearest Agilent Sales and Service Office.

Safety Considerations (cont'd)

WARNING

INSTRUCTIONS FOR ADJUSTMENTS WHILE COVERS ARE REMOVED AND FOR SERVICING ARE FOR USE BY SERVICE-TRAINED PERSONNEL ONLY. TO AVOID DANGEROUS ELECTRIC SHOCK, DO NOT PERFORM SUCH ADJUSTMENTS OR SERVICING UNLESS QUALIFIED TO DO SO.

WARNING

ANY INTERRUPTION OF THE PROTECTIVE GROUNDING CONDUCTOR (INSIDE OR OUTSIDE THE PRODUCT'S CIRCUITRY) OR DISCONNECTING THE PROTECTIVE EARTH TERMINAL WILL CAUSE A POTENTIAL SHOCK HAZARD THAT COULD RESULT IN PERSONAL INJURY. (GROUNDING ONE CONDUCTOR OF A TWO CONDUCTOR OUTLET IS NOT SUFFICIENT PROTECTION.)

Whenever it is likely that the protection has been impaired, the instrument must be made inoperative and be secured against any unintended operation.

If this instrument is to be energized via an autotransformer (for voltage reduction), make sure the common terminal is connected to the earthed pole terminal (neutral) of the power source.

Instructions for adjustments while covers are removed and for servicing are for use by trained personnel only. To avoid dangerous electric shock, do not perform such adjustments or servicing unless qualified to do so.

For continued protection against fire, replace the line fuse(s) with fuses of the same current rating and type (for example, normal blow, time delay). Do not use repaired fuses or short-circuited fuseholders.

Acoustic Noise Emissions

LpA<47 dB at operator position, at normal operation, tested per EN 27779. All data are the results from type test.

Geräuschemission

LpA<47 dB am Arbeitsplatz, normaler Betrieb, geprüft nach EN 27779. Die Angaben beruhen auf Ergebnissen von Typenprüfungen.

Electrostatic Discharge Immunity Testing

When the product is tested with 8kV AD, 4kV CD and 4kV ID according to IEC801-2, a system error may occur that may affect measurement data made during these disturbances. After these occurrences, the system self-recovers without user intervention.