

Datasheet: MultiFiber™ Pro

First MPO tester to support both Singlemode and Multimode MPO fiber testing

Data centers are growing, fueled by the proliferation of media, virtualization and the need for more security and storage. This creates a high demand for 40 Gbps+ fiber links. Whether it is using 10 Gbps pre-terminated fiber trunks or planning for next-generation 40/100 Gbps performance, data centers are standardizing on Multi-fiber Push-on (MPO) connector solutions.

Pre-terminated fiber cables are manufactured and tested to comply with ANSI/TIA and international standards. When these cables are installed many factors can potentially impact performance. Field testing is the only way to ensure that pre-terminated fiber is installed to meet the application performance requirements. With single and duplex testers this verification testing is a time-consuming, manual and imprecise process. To ensure installation is done to standards, test with the MultiFiber Pro.

MultiFiber Pro takes the complexity out of testing MPO trunks for loss and polarity. With an on-board MPO connector, it is the first tester to automate the MPO fiber-trunk testing process without using a fan-out cord. The power meter/light source boasts industry-first functions such as automatic scanning of all twelve fibers and display of test results in an easy-to-read bar graph. These innovative features allow MultiFiber Pro kits to eliminate the complexity of testing MPO trunks, making it 90 percent faster than the traditional simplex test methods.



MultiFiber Pro Power Meter and Light Source feature the following:

- Automatic scanning and testing of all fibers in MPO connectors with “Scan All”
- Support for both Multimode and Singlemode MPO trunks
- Eliminates the need for fan-out cords when testing fiber trunks
- Easy to interpret test results with minimal navigation
 - User interface displays all 12 fibers
- Automate 8, 10 and 12 fiber measurements
- Troubleshoot MPO links and drill down to single fiber test results

MultiFiber Pro Unique Capabilities

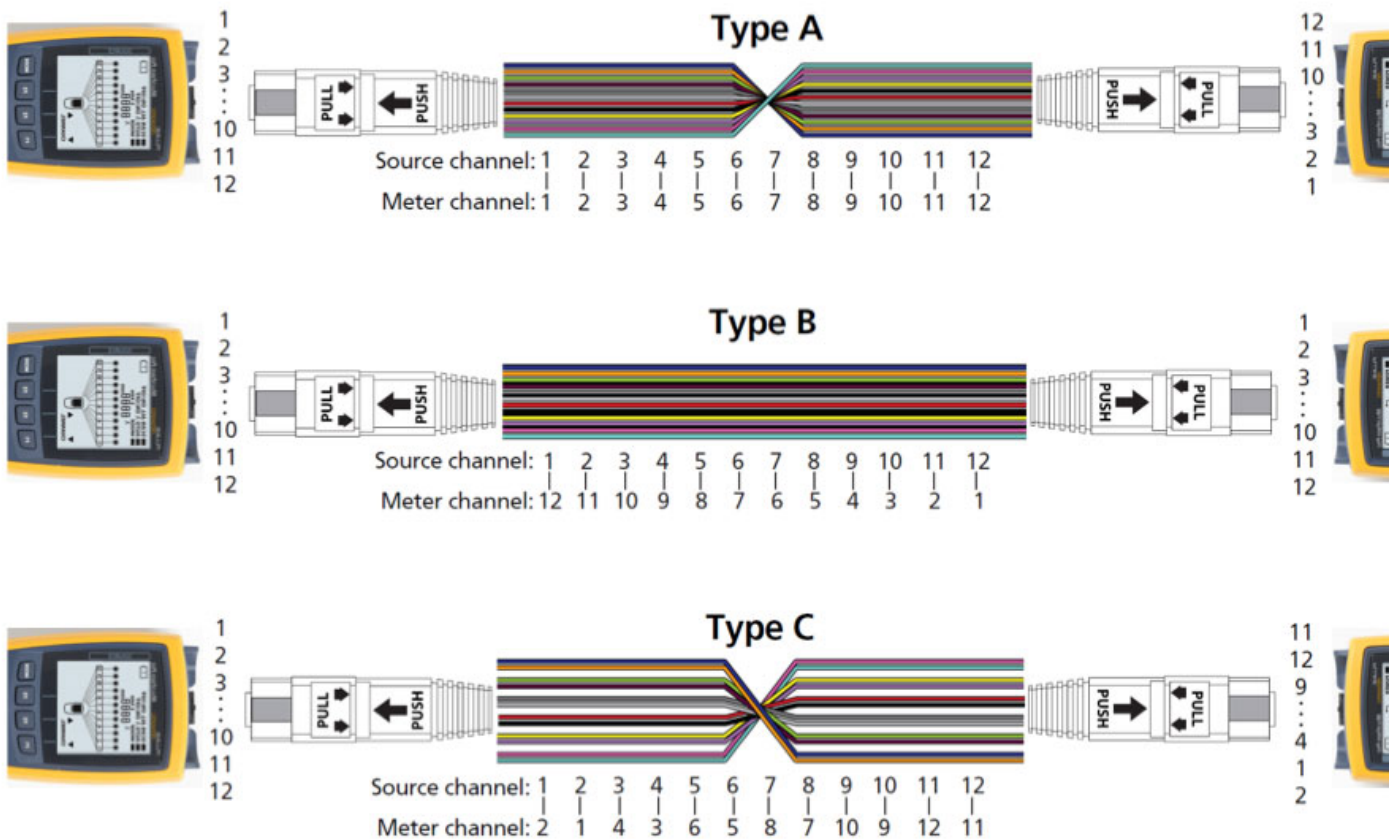
“SCAN ALL” Function

Scan All function in the MultiFiber Pro Power Meter automatically scans and tests all 12 fibers in MPO connectors – taking just 6 seconds to complete all loss or power measurements. This feature automates the testing of MPO terminated fibers and eliminates the time consuming and manual process of moving the tester from fiber to fiber while using fan-out cords.

Built-in Polarity Verification

The simple purpose of any polarity scheme is to provide a continuous connection from the link’s transmitter to the link’s receiver. For array connectors, TIA-568-C.0 defines three methods to accomplish this. Deployment mistakes are common because these methods require a combination of patch cords with different polarity types. The polarity measurement of MultiFiber Pro allows the user to test individual patch cords, permanent links, and channels for correct polarity.

Trunk/Patch Cord Polarity



Polarity Agnostic Referencing

MPO deployments have many possible polarities: A, B, C, and Universal. MultiFiber Pro utilizes the concept of polarity agnostic referencing to simplify the referencing step. This powerful feature allows the user to reference with any polarity of patch cord. Then, using those same patch cords, the user can test any polarity link. Prior knowledge of the link's polarity is not required.

Simple User Interface

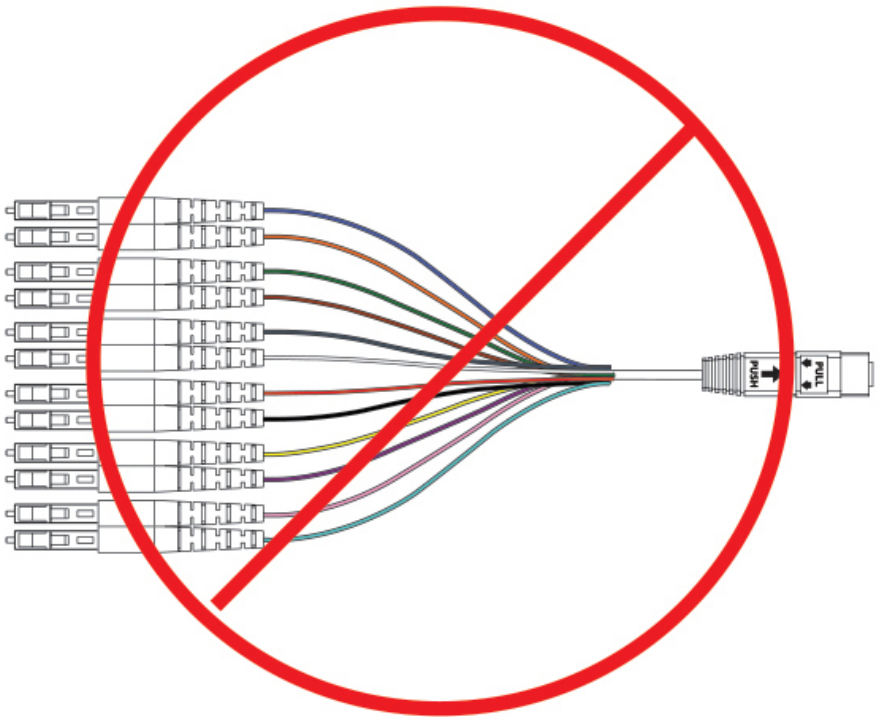
The MultiFiber Pro simplifies the task of simultaneously presenting polarity, power, and loss results for 12 fibers. The power meter enables the users to easily comprehend the measurement results of 12 fibers simultaneously. The light source identifies each fiber within the MPO connector being tested. Any individual measurements that fail the test limit is identified to allow root-cause analysis. This powerful yet straightforward test set enables everyone to become a fiber testing expert increasing efficiency in testing data center projects.

On-board MPO connector

The MPO connector on both the Optical Power Meter and Light Source eliminates the use of costly and complicated fan-out cords to test MPO fiber trunks.

Select an Individual Fiber

Drilling down to a single fiber during testing and troubleshooting is always a challenge in data centers. MultiFiber Pro can troubleshoot a single fiber within an MPO trunk to provide a single fiber test result. This increases MPO connector verification and troubleshooting flexibility with more precise, per-fiber data and reporting.



Easy Reporting

The MultiFiber Pro Power Meter stores up to 3,000 test results internally which can be uploaded to a PC using the LinkWare™ Cable Test Management Software. LinkWare allows you to manage test results, edit cable ID's, print professional reports and even export the data into spreadsheet formats.

Kits for Every Need

MultiFiber Pro is available in several convenient kit configurations to meet all your cleaning, inspection and verification testing needs. Some kits include:

FI-7000 FiberInspector Pro with MPO tip and cleaning supplies

The FI-7000 is the ultimate inspection tool. It enables you to quickly inspect and certify fiber end-faces inside ports or patch cords. It's 2-second automated PASS/FAIL eliminates human subjectivity and enables anyone to become a fiber inspection expert.



- Automated Pass/Fail acceptance testing of fiber end-faces
- Large touchscreen for pinch and zoom
- Graphical indication of problem areas due to contamination, pits, chips, and scratches
- Certify to industry standards - IEC 61300-3-35
- Eliminate human subjectivity from end-face measurements
- Includes MPO tip for inspection probe and MPO cleaner

Fiber Cleaning – IBC™ OneClick Cleaners

Cleaning is critical. Fluke Networks' OneClick Cleaners instantly clean fiber optic bulkhead connectors and end-faces. Just push the tool tip to engage cleaning action and pull back on the wheel – it's that simple. The MPO OneClick Cleaner is bundled with the MultiFiber Pro kits to ensure that you have the best cleaning tool from the beginning.





General Specifications

Environmental	
Operating temperature	-10°C to +50°C
Storage temperature	-20°C to +50°C
Operating humidity	95% (10°C to +35°C) non-condensing
	75% (35°C to +45°C) non-condensing
	Uncontrolled < 10°C
Operating altitude	4,000 m
Storage altitude	12,000 m
Vibration	Random 2 G, 5 Hz to 500 Hz

Optical Power Meter (Specifications apply at 23°C (73°F), unless otherwise noted.)	
Detector type	InGaAs
Calibrated wavelengths	850 nm, 1300 nm, 1310 nm, 1550 nm
Measurement range	0 dBm to -50 dBm
Test time	6 seconds
Power measurement linearity	±0.1 dB ²
Power measurement uncertainty	±0.35 dB ²
Power measurement repeatability	< 0.10 dB ²
Display resolution, dB or dBm	0.01
Power display units	dBm, mW, μW
User-selectable limit for loss	0.05 dB to 50.0 dB, in increments of 0.05 dB up to 10.0 dB and 0.1 dB up to 50.0dB
Auto wavelength detection	Yes
Polarity detection	Detects A, B, C, and Corning Plug & Play™ Universal Systems polarities
2 kHz detection	Yes
Record storage	3000 records, one fiber per record (250 12-fiber cables)
External interface	USB 2.0, full speed
Optical connector	MPO interface for 12-fiber, unpinned plugs. Compatible with 62.5 μm, 50 μm, and singlemode fibers. Connector has a self-closing, protective cover.
Power requirement	2 AA alkaline batteries
Battery life ³	30 hours (typical)



Model	Description
MFTK-MM850-SM1310	MultiFiber Pro Multimode & 1310 nm Singlemode Kit includes MultiFiber Pro Power Meter, 850 nm Light Source, 1310 nm Light Source, Test Reference Cords, MPO adapters, and carrying case
MFTK-MM850-SM1550	MultiFiber Pro Multimode & 1550 nm Singlemode Kit includes MultiFiber Pro Power Meter, 850 nm Light Source, 1550 nm Light Source, Test Reference Cords, MPO adapters, and carrying case
OFFQI-MFP	The complete kit for the Network Technician who needs to test ultra-short fiber links, verify polarity with MPO fiber trunks and inspect data center connection types. This kit includes everything you need—the OptiFiber® Pro OTDR, the MultiFiber™ Pro Loss Length tester and the MPO inspection tip—for troubleshooting multimode and singlemode fiber, field testing multimode MPO components and inspecting MPO ports and end faces on fiber optic connectors.
OFFPMI-MFP	The complete kit for the Network Technician who needs to test ultra-short fiber links, verify polarity with MPO fiber trunks and inspect data center connection types. This kit includes everything you need—the OptiFiber® Pro OTDR, the MultiFiber™ Pro Loss Length tester and the MPO inspection tip—for troubleshooting multimode fiber, field testing MPO components and inspecting MPO ports and end-faces on fiber optic connectors.

Accessories

Model	Description
MFPOWERMETER	MultiFiber Pro Optical Power Meter
MFMULTIMODESOURCE	MultiFiber Pro Multimode 850 nm LED light source
MF1310SOURCE	MultiFiber Pro SM 1310 nm laser light source
MF1550SOURCE	MultiFiber Pro SM 1550 nm laser light source
TRC-MPO-PP-B	1 m MM TRC, MPO/MPO, Pinned/ Pinned, Type B polarity
TRC-MPO-UP-B	1 m MM TRC, MPO/MPO, Unpinned/ Pinned, Type B polarity
TRC-MPO-UU-B	0.3 m MM TRC, MPO/MPO, Unpinned/ Unpinned, Type B polarity
TRC-SM-MPOAPC-PP-A	1 m SM TRC, MPOAPC/MPOAPC, Pinned/Pinned, Type A polarity
TRC-SM-MPOAPC-UP-A	1 m SM TRC, MPOAPC/MPOAPC, Unpinned/Pinned, Type A polarity
TRC-SM-MPOAPC-UU-A	0.3 m SM TRC, MPOAPC/MPOAPC, Unpinned/Unpinned, Type A polarity
BKC-MPO-ULC	1 m breakout cord for MM MPO Unpinned LC connector
BKC-MPO-USC	1 m breakout cord for MM MPO Unpinned SC connector
SBKC-MPOAPCU-LCAPC	1 m Breakout Cord for SM MPOAPC Unpinned LCAPC Connector
SBKC-MPOAPCU-SCAPC	1 m Breakout Cord for SM MPOAPC Unpinned SCAPC Connector
ADP-MPO-A	Type A polarity MPO adapter for SM APC
ADP-MPO-B	Type B polarity MPO adapter
NFC-IBC-1.25mm	OneClick cleaners for 1.25 mm LC and MU connector and patch cord (5 qty)
NFC-IBC-2.5mm	OneClick cleaners for 2.5 mm SC, ST, FC connector and patch cord (5 qty)
NFC-IBC-MPO	OneClick cleaners for MPO/MPO connector (5 qty)
NFC-KIT-CASE-E	Enhanced Fiber Optic Cleaning Kit – includes (1) OneClick cleaner for 1.25mm connector, (1) OneClick cleaner for 2.5mm connector, (1) OneClick cleaner for MPO/MPO® cleaner, a solvent pen, a cleaning cube and a soft case

Optical Power Meter and Fiber Test Kits



Fluke Networks operates in more than 50 countries worldwide.
To find your local office contact details, go to www.flukenetworks.com/contact.

© 2015 Fluke Corporation. Rev: 12/29/2014 1:58 pm (Literature Id: 4213085)